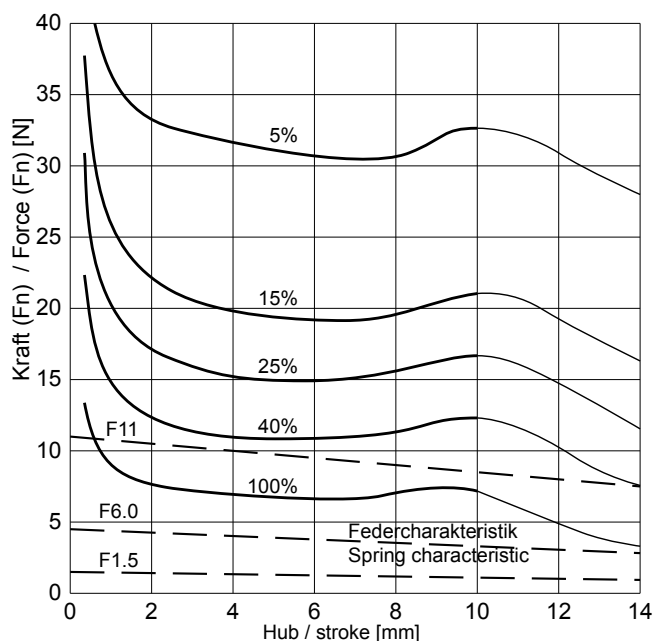
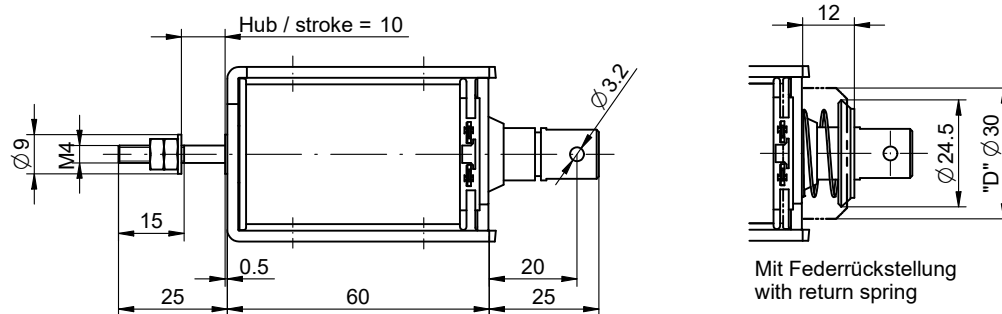


Magnet bestromt gezeichnet
Solenoid illustrated in energised position

Max. Einschraubtiefe der Befestigungsschrauben ist 4 mm

Max. depth of thread for fixing screw = 4 mm



ED [%]	100	40	25	15	5	Duty cycle [%]
Die Spieldauer für die Berechnung der Einschaltdauer beträgt 30 sec.						The max. duty cycle time to determine the duty cycle is 30 sec.
Hubarbeit [Ncm]	7.5	12	17	21	32	Work done [Ncm]
El. Leistung [W] (P20)	17	42	66	111	350	Power [W] (P20)
Anzugszeit [ms] Abfallzeit [ms]	110 80	100 65	85 60	80 55	75 50	Operating time [ms] Release time [ms]
(+20°C, betriebswarm, bei Belastung mit 70% der entsprechenden Magnetkraft)						(+20°C, operating temperature, with a load equal to 70% of the solenoid force)

■ = Nicht Standard / not standard

Spezifikationen

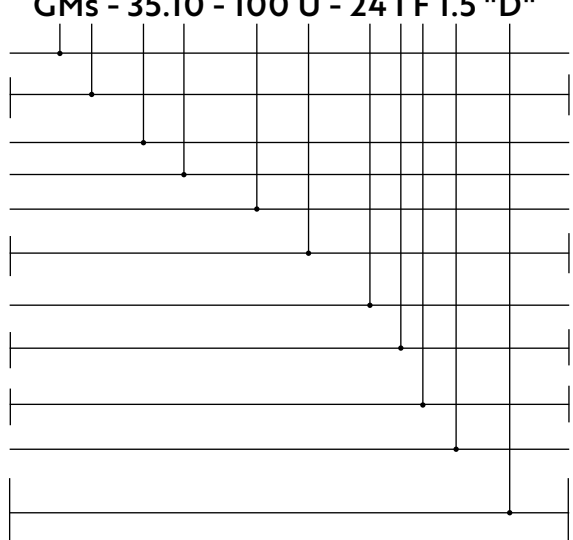
Specifications

Funktion	ziehend / stossend	pull / push	Operation
Vorzugs-Nennspannung	24VDC (max. 50VDC)		Preferred rated voltage
Isolierstoffklasse	B (130°C) DIN VDE 0580		Class of insulation
Prüfspannung Überspannungskategorie	EN 60664-1 III		Test voltage Surge category
Schutzart	IP00 (IEC 60529)		Degree of protection
El. Anschlussart	Steckzungen 2.8 x 0.8 DIN 46342-1 Litzen (300mm), AWG20	2.8 x 0.8 Tabs DIN 46342-1 Lead wires (300mm), AWG20	Electrical termination
Oberflächenbehandlung	Gehäuse verzinkt & blau passiviert, Anker hartverchromt	Solenoid housing zinc plated & trivalent chrome passivated, plunger hard chrome-plated	Surface treatment
bewegte Masse	0.058kg		Moving mass
Total Magnetgewicht	0.420kg		Total weight of solenoid

Bestellbeispiel

Ordering specification

GMs - 35.10 - 100 U - 24 I F 1.5 "D"

<p>Gleichstrom-Miniatur-Magnet</p> <p>s: mit Stossstange ohne Index keine Stossstange</p> <p>Baugrösse</p> <p>Nennhub des Magneten in mm</p> <p>Einschaltdauer (ED) in %</p> <p>U: Universalanschluss W: Litzenanschluss</p> <p>Spannung in Volt</p> <p>I Anschlüsse auf Stossseite II Anschlüsse auf Zugseite</p> <p>Mit Rückstellfeder Ohne Rückstellfeder kein Index</p> <p>Index der Federkennlinie</p> <p>"D": mit Dämpfung (nur mit Feder möglich) ohne Index keine Dämpfung</p>		<p>Type GM: D.C. Miniature solenoid</p> <p>s: with push rod without push rod - no index</p> <p>Size</p> <p>Rated stroke of solenoid in mm</p> <p>Duty cycle in %</p> <p>U: Universal termination W: Lead wire</p> <p>Voltage</p> <p>I Electrical termination on push side II Electrical termination on pull side</p> <p>With return-spring assembly Without spring - no index</p> <p>Index of return-spring</p> <p>"D": with damping (only possible with spring) Without damping - no index</p>
----------------------------------------------------------------------------------------------------------------------------------------------------------------------------------------------------------------------------------------------------------------------------------------------------------------------------------------------------------------------------------------------------------------------------------------------------------------------------------------------------------------	----------------------------------------------------------------------------------------------	-------------------------------------------------------------------------------------------------------------------------------------------------------------------------------------------------------------------------------------------------------------------------------------------------------------------------------------------------------------------------------------------------------------------------------------------------------------------------------------------------------------------------

Bemerkungen

Notes

- | | |
|--------------------------------------------------------------------------------------------------------------------------------------------------------------------------------------------------------------------------------------------------------------------------------------------------------------------------------------------------------------------------------------------------------------------------------------------------------------------------------------------------------------------------------------------------------------------------------------------------------------------------------------------------------------------------|--------------------------------------------------------------------------------------------------------------------------------------------------------------------------------------------------------------------------------------------------------------------------------------------------------------------------------------------------------------------------------------------------------------------------------------------------------------------------------------------------------------------------------------------------------------------------------------------------------------------------------------------------------------------------------|
| <ol style="list-style-type: none"> 1) Magnete hergestellt und geprüft nach DIN VDE 0580 2) Magnetkraft betriebswarm gemessen bei 20°C Umgebungstemperatur, waagrecht Bewegungsrichtung mit 90% Nennspannung 3) Die Magnethaftkraftwerte gelten nur als Referenzwerte und können infolge Toleranzen um ±10% abweichen 4) Sonderausführungen sind lieferbar 5) Änderungen vorbehalten - Abbildungen unverbindlich 6) RoHS konform, frei von Halogenen (PVC) 7) Unsere „Technischen Erläuterungen“ geben Auskunft über den Einsatz von Magneten sowie zu allgemeinen Montage- und Sicherheitshinweisen | <ol style="list-style-type: none"> 1) Solenoids manufactured and tested according to DIN VDE 0580 2) Forces indicated measured at 20°C ambient and operating temperature with 90% of its rated voltage, in horizontal position 3) Force values for reference only and can differ ±10% as a result of natural dispersion 4) Special designs are available 5) All specifications subject to change without notice 6) Compliant with RoHS; free of halogenes (PVC) 7) Our „Technical Explanations“ provide information about the use of solenoids as well as to general installation and safety instructions |
|--------------------------------------------------------------------------------------------------------------------------------------------------------------------------------------------------------------------------------------------------------------------------------------------------------------------------------------------------------------------------------------------------------------------------------------------------------------------------------------------------------------------------------------------------------------------------------------------------------------------------------------------------------------------------|--------------------------------------------------------------------------------------------------------------------------------------------------------------------------------------------------------------------------------------------------------------------------------------------------------------------------------------------------------------------------------------------------------------------------------------------------------------------------------------------------------------------------------------------------------------------------------------------------------------------------------------------------------------------------------|