

# SS2 Series Specifications

## MECHANICAL (X & Y AXES)

ANGLE OF MOVEMENT	24° (12° EACH DIRECTION)
MECHANICAL LIFE CYCLES	1 MILLION
CENTERING	SPRING RETURN
SWITCH MECHANISM	SNAP ACTION
LIMITER OPTIONS	2 (-), 4 (+) or 8 (□)
MAX. VERTICAL LOAD	80 lbF
MAX. HORIZONTAL LOAD	22 lbF *

\* Measured 1.50" Above Panel Surface

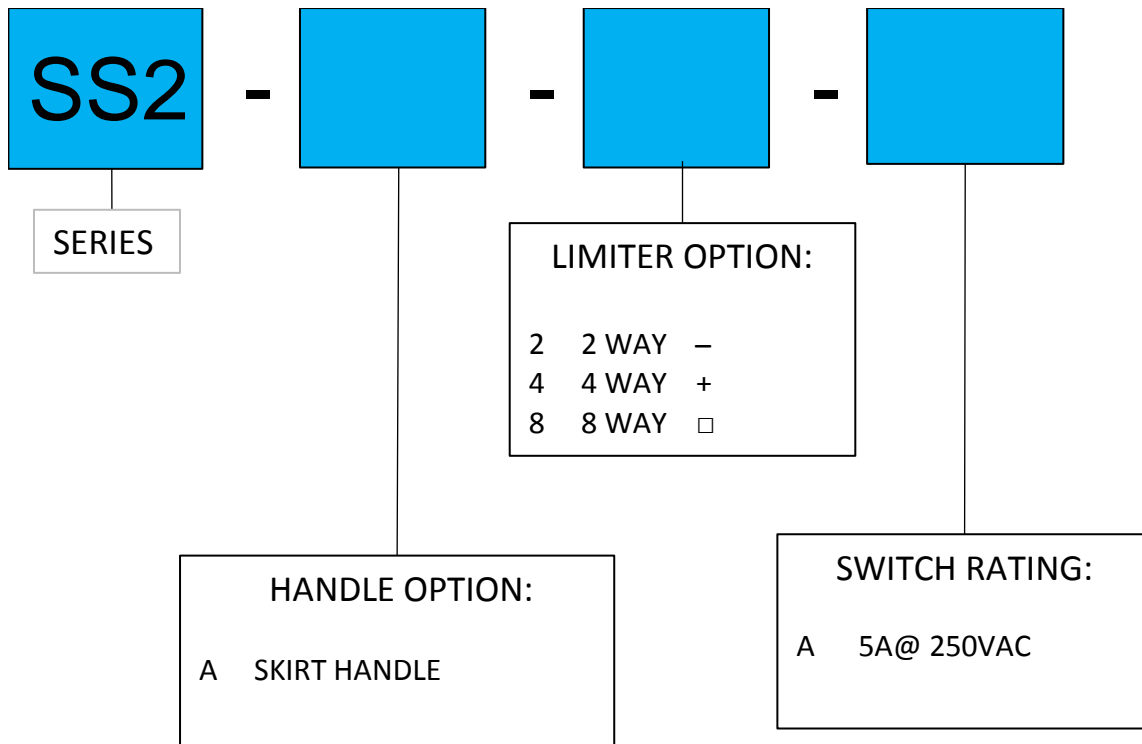
## ELECTRICAL

NUMBER OF SWITCHES	2, 4, or 8
SWITCH FUNCTION	MOMENTARY
NOMINAL CURRENT	SEE OPTIONS (5A STANDARD)
MAXIMUM VOLTAGE	250VAC
CONTACT MATERIAL	SILVER
ELECTRICAL CONTACT LIFE	DEPENDENT ON LOAD (50K MIN.)

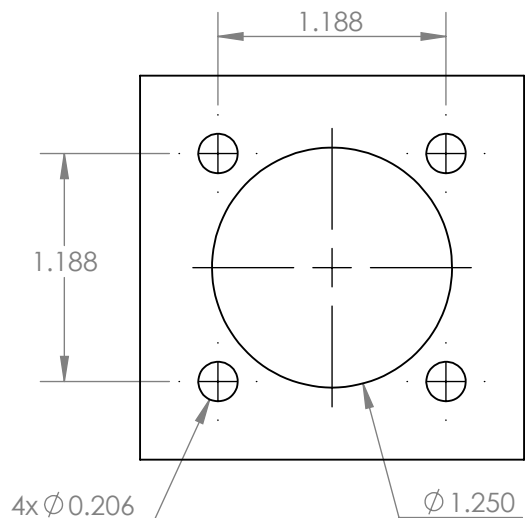
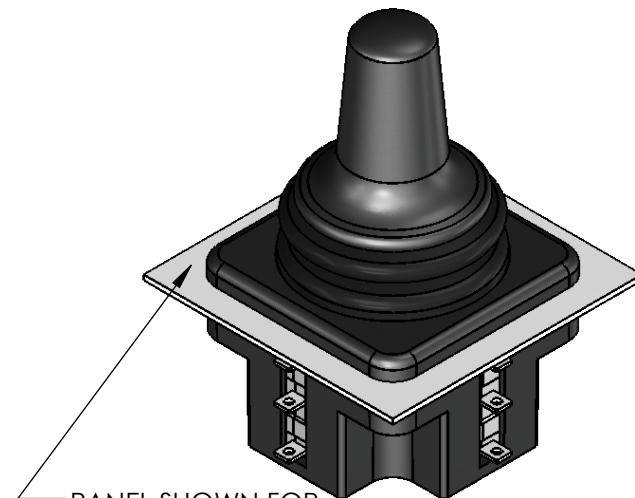
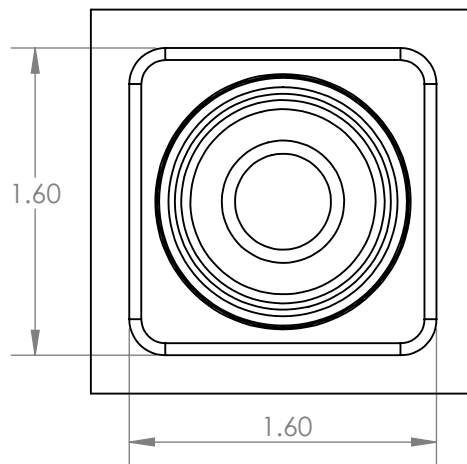
## ENVIRONMENTAL

OPERATING TEMPERATURE	-10°F TO 185°F
STORAGE TEMPERATURE	-40°F TO 185°F
IP SEALING ABOVE PANEL	IP67

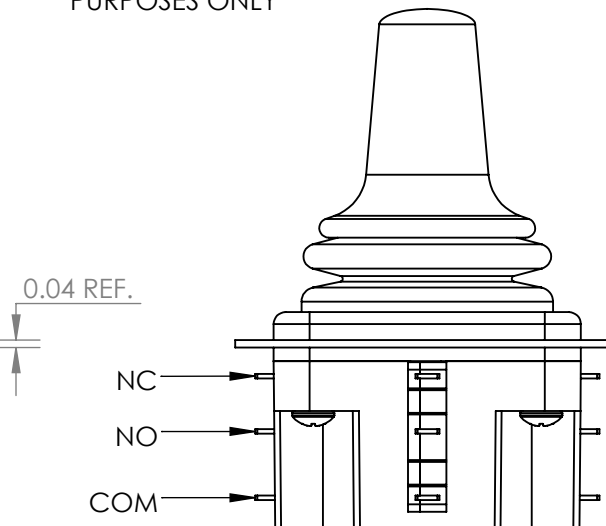
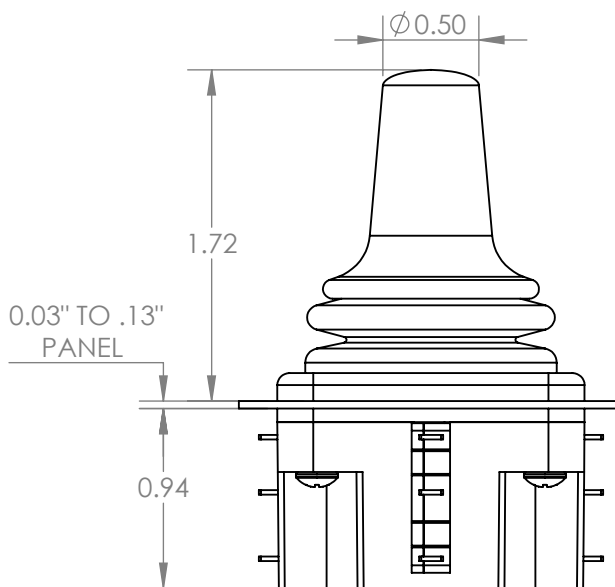




# SS2 SERIES MOUNTING AND HANDLE OPTIONS



PANEL DIMENSIONS



\*WIRING REFERENCE, ALL SWITCHES

