

SS1 Series Specifications

MECHANICAL (X & Y AXES)

ANGLE OF MOVEMENT	30° (15° EACH DIRECTION)
EXPECTED CYCLE LIFE	5 MILLION
CENTERING	SPRING RETURN
MAX. VERTICAL LOAD	67.5 lbF
MAX. HORIZONTAL LOAD	50 lbF *

* Measured 0.62" Above Panel Surface

ELECTRICAL (X & Y AXES)

SWITCH TYPE	HALL EFFECT
SUPPLY VOLTAGE	1.5-3.6VDC
MAX SUPPLY/OUTPUT VOLTAGE	5VDC
MAX SUPPLY CURRENT	5mA
MAX OUTPUT CURRENT	10mA

PUSHBUTTON SWITCH (OPTION 3 ACTUATOR)

ELECTRICAL LIFE	300,000 CYCLES
RATING	50mA, 12VDC
ACTUATION FORCE	1.15lbF

ENVIRONMENTAL

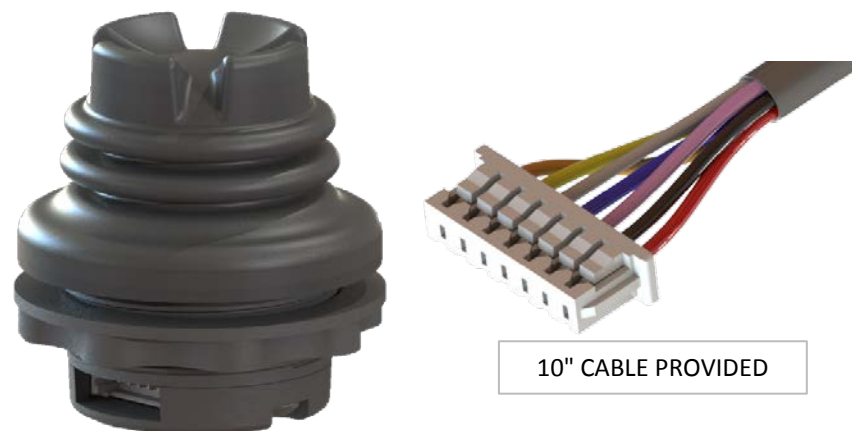
OPERATING TEMPERATURE	-40°F TO 185°F
STORAGE TEMPERATURE	-40°F TO 185°F
IP SEALING ABOVE PANEL	IP67
EMC IMMUNITY LEVEL	EN61000-4-3 *Compliance to 30A/m
EMC EMISSIONS LEVEL	EN61000-6-3
ESD IMMUNITY LEVEL	EN61000-4-2 *Compliance to ±15kV/±8kV

*Extended Testing Levels

MOLEX 530480710 CONNECTOR

PIN #	WIRE COLOR	DESCRIPTION
1	RED	POWER (+5V)
2	BLACK	GROUND
3	PINK	X- SWITCH
4	BLUE	X+ SWITCH
5	GREY	Y- SWITCH
6	YELLOW	Y+ SWITCH
7	ORANGE	PUSHBUTTON**

** OPTIONAL

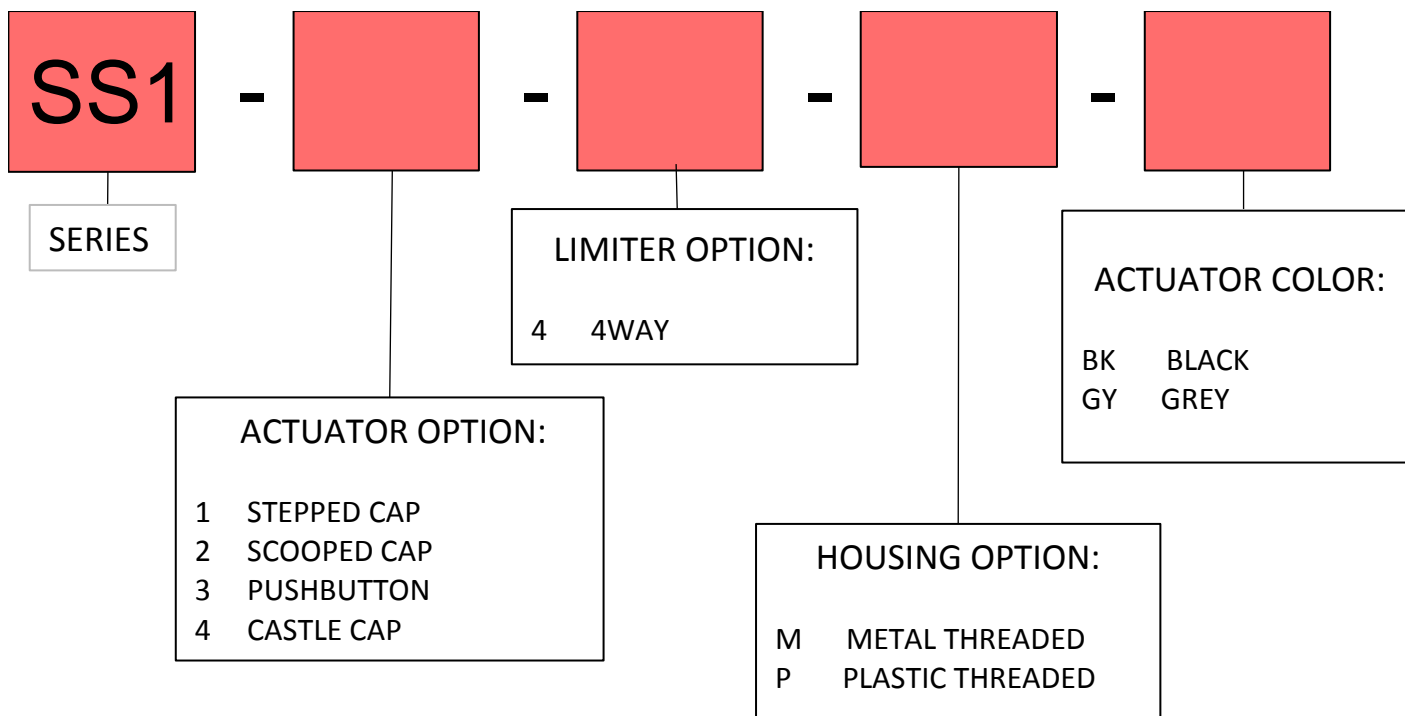


10" CABLE PROVIDED

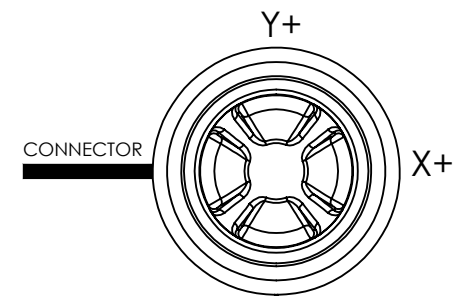
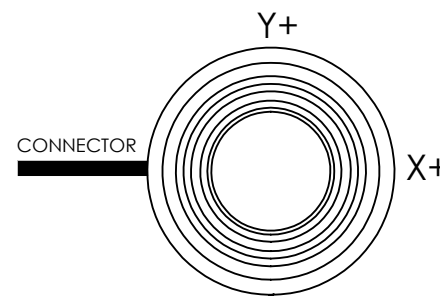
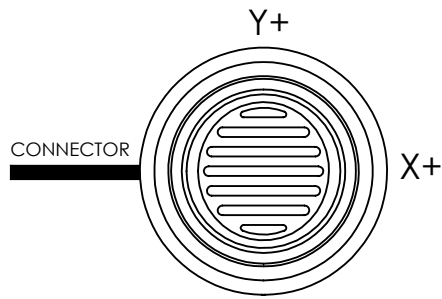
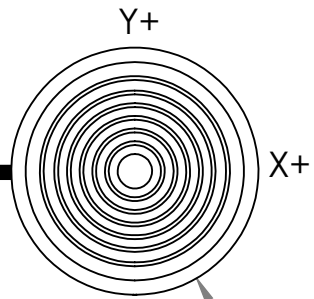
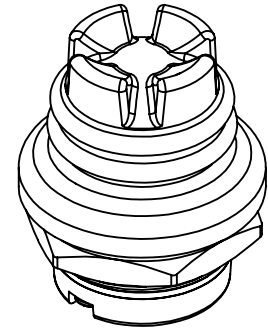
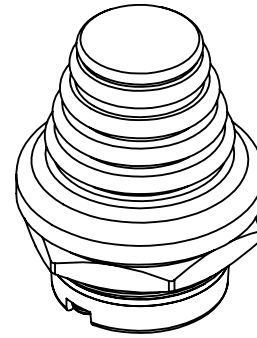
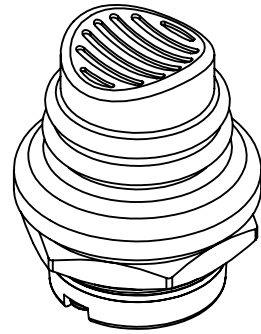
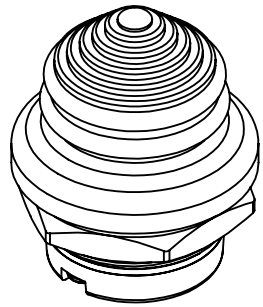
MATERIALS

PLASTIC HOUSING	MINERAL & GLASS FILLED NYLON
METAL HOUSING	GOLD ANODIZED ALUMINUM
BOOT & ACTUATORS	SILICONE

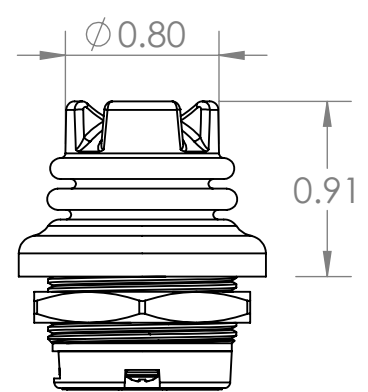
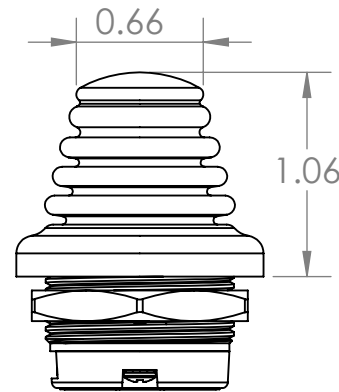
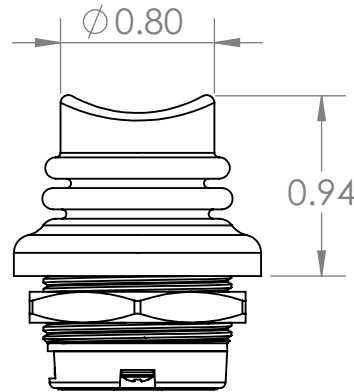
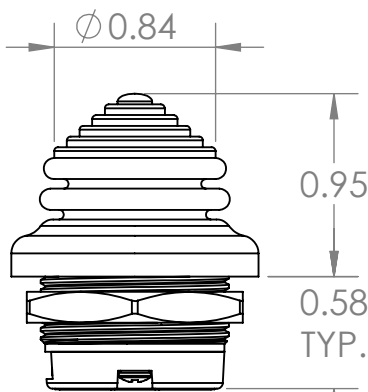
IP RATING: IP67 (ABOVE PANEL, ALL CONFIGURATIONS)



SS1 - ACTUATOR OPTIONS



Ø 1.29 TYP.



OPTION 1: STEPPED CAP

OPTION 2: SCOOP CAP

OPTION 3: PUSHBUTTON CAP

OPTION 4: CASTLE CAP

SS1 - MOUNTING OPTIONS

THREADED HOUSING PANEL DIMENSIONS

