

MR Series Specifications

MECHANICAL (X & Y AXES)	
ANGLE OF MOVEMENT	50° (25° EACH DIRECTION)
EXPECTED CYCLE LIFE	SEE POTENTIOMETER OPTIONS
CENTERING	SPRING RETURN
MAX. VERTICAL LOAD	75 lbf
MAX. HORIZONTAL LOAD	24 lbf *
MATERIAL	GLASS/MINERAL FILLED NYLON

* Measured 1.75" Above Panel Surface

MECHANICAL (Z AXIS)	
ANGLE	90° (45° EACH DIRECTION)
CENTERING	SPRING RETURN
MAX. APPLIED TORQUE	14 lbFin

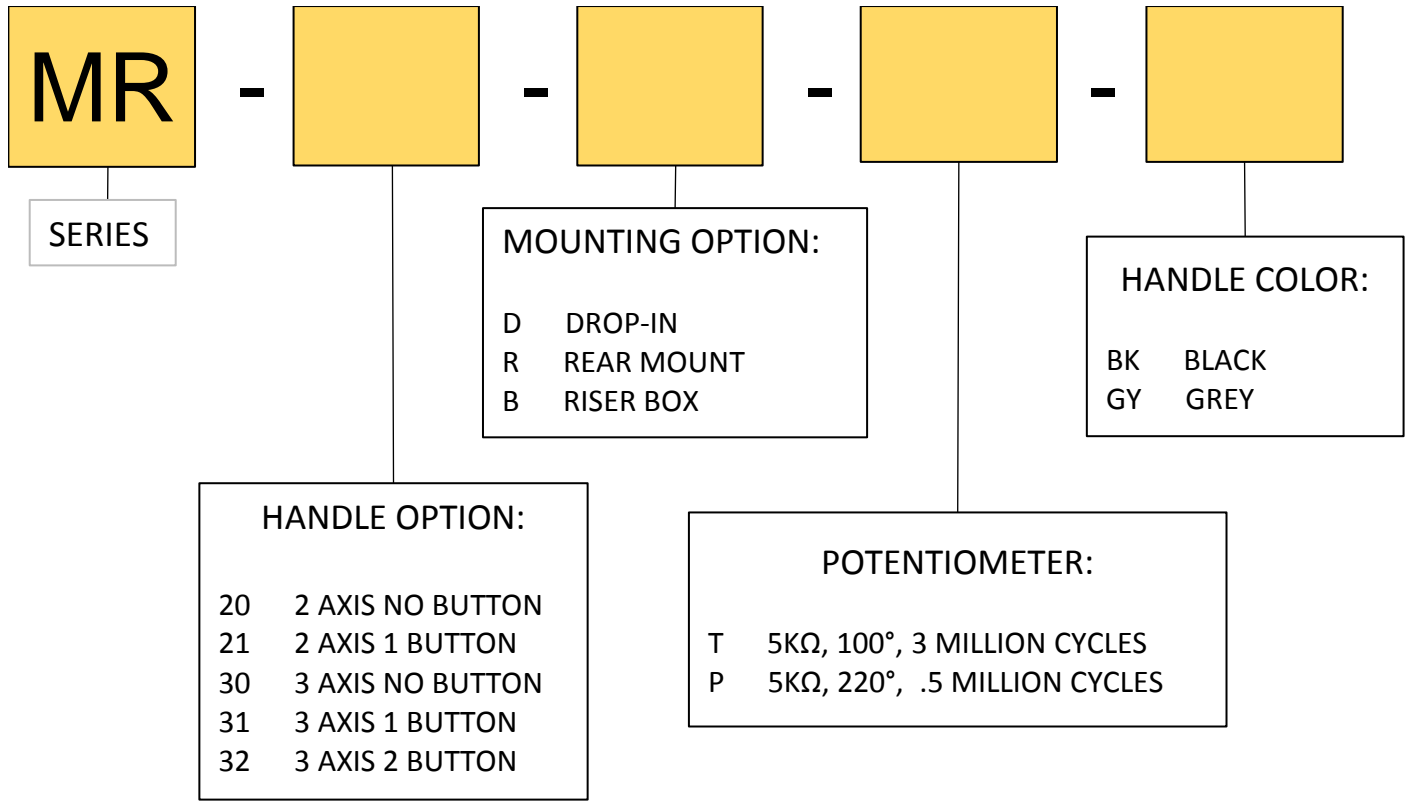
POTENTIOMETER (ALL AXES)		
	T	P
MANUFACTURER		
RESISTANCE ELEMENT	CONDUCTIVE PLASTIC	CONDUCTIVE PLASTIC
RESISTANCE	5KΩ	5KΩ
LINEARITY	±2%	±5%
OPERATING ANGLE	ELECTRICAL: 100°	ELECTRICAL: 220°
NOISE (CRV)	3.5% MAX.	0.5% MAX.
POWER RATING	0.25W @ 130°F	0.25W @ 104 °F
VOLTAGE RATING	350VDC MAX.	500VDC MAX.
ROTATIONAL LIFE	3,000,000 CYCLES	500,000 CYCLES

ENVIRONMENTAL	
OPERATING TEMPERATURE	0°F TO 140°F
STORAGE TEMPERATURE	-40°F TO 160°F
IP SEALING ABOVE FLANGE	UP TO IP54*

28 AWG PIGTAIL WIRING		
Wire Color	"P" Option Pot	"T" Option Pot
RED	X POT SUPPLY	X POT RETURN
BLUE	X POT SIGNAL	X POT SIGNAL
BLACK	X POT RETURN	X POT SUPPLY
PINK	Y POT SUPPLY	Y POT RETURN
YELLOW	Y POT SIGNAL	Y POT SIGNAL
GREY	Y POT RETURN	Y POT SUPPLY
BROWN	Z POT SUPPLY	Z POT RETURN
GREEN	Z POT SIGNAL	Z POT SIGNAL
TRANSPARENT	Z POT RETURN	Z POT SUPPLY
ORANGE	BUTTON 1	BUTTON 1
VIOLET	BUTTON 2	BUTTON 2
WHITE	BUTTON COM	BUTTON COM

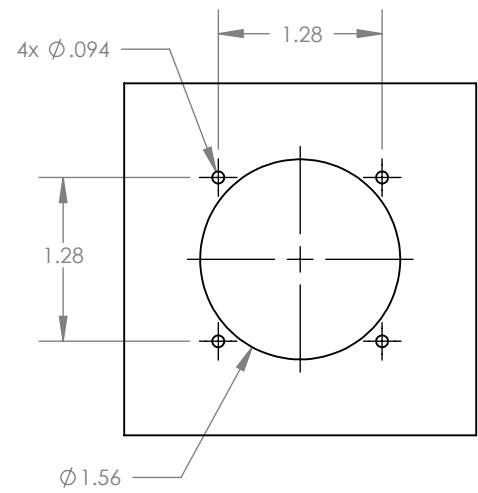


*HANDLE IP RATING	
HANDLE OPTION	IP RATING
20	IP54
21	IP50
30	IP54
31	IP50
32	IP50

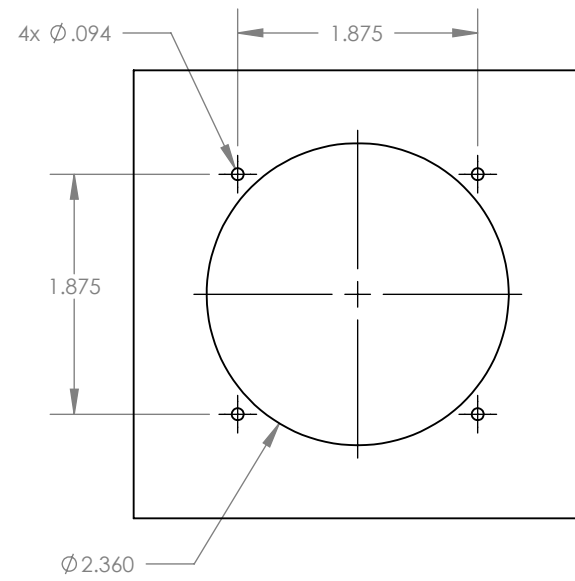


MR - MOUNTING OPTIONS

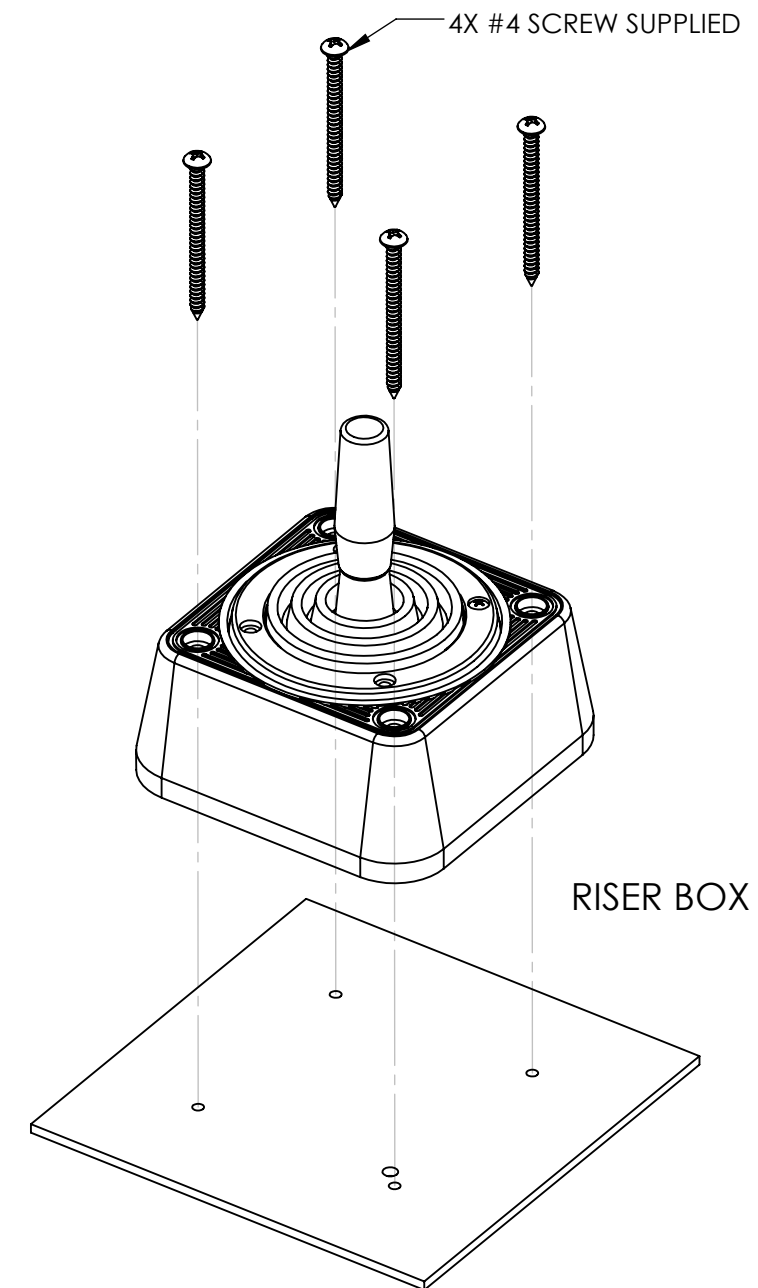
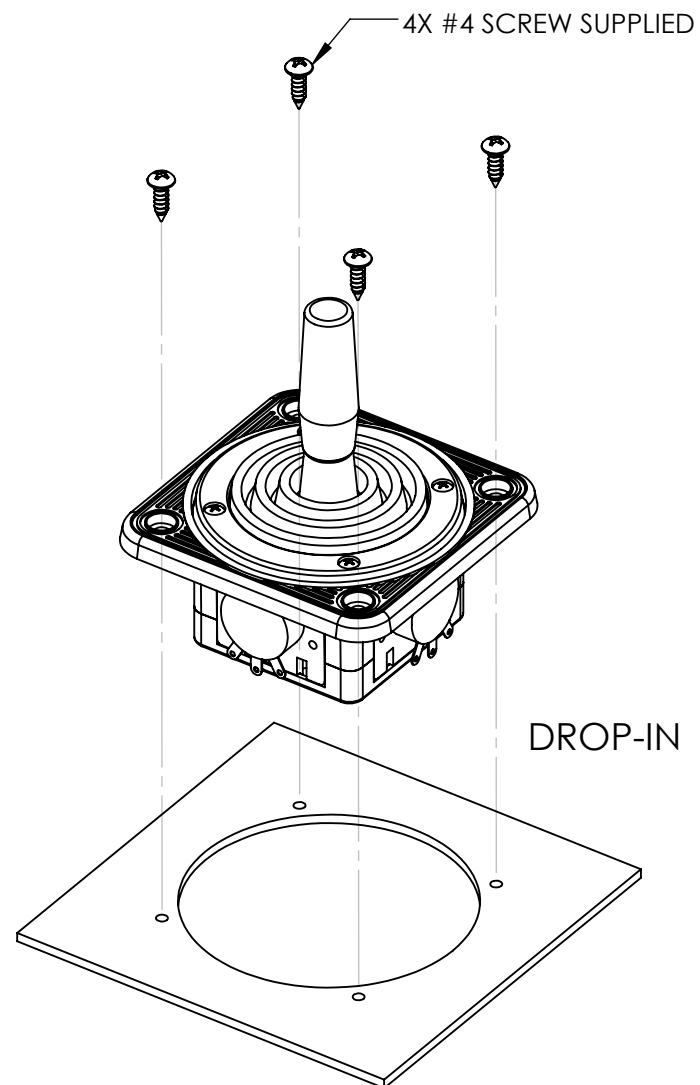
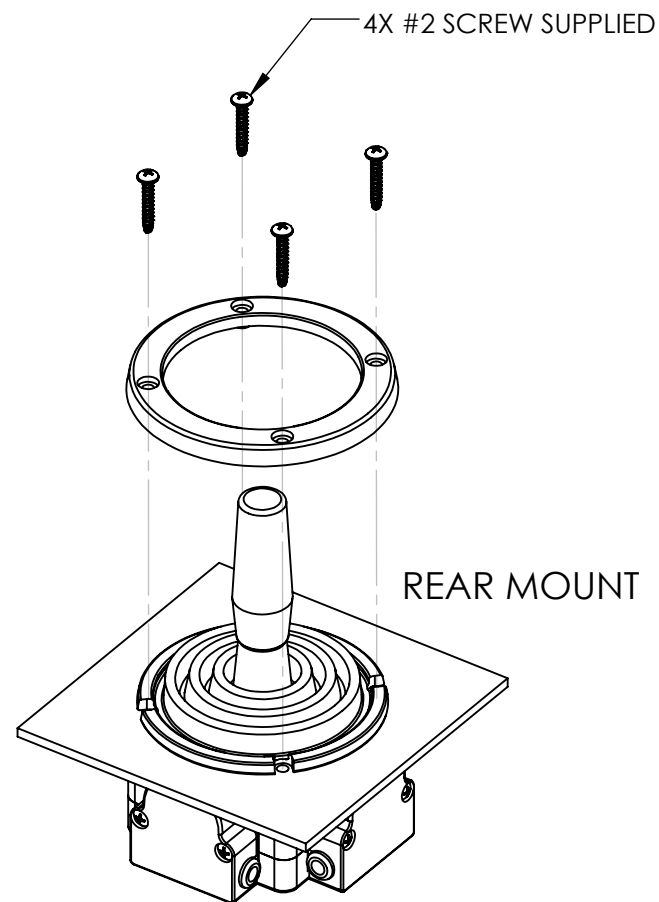
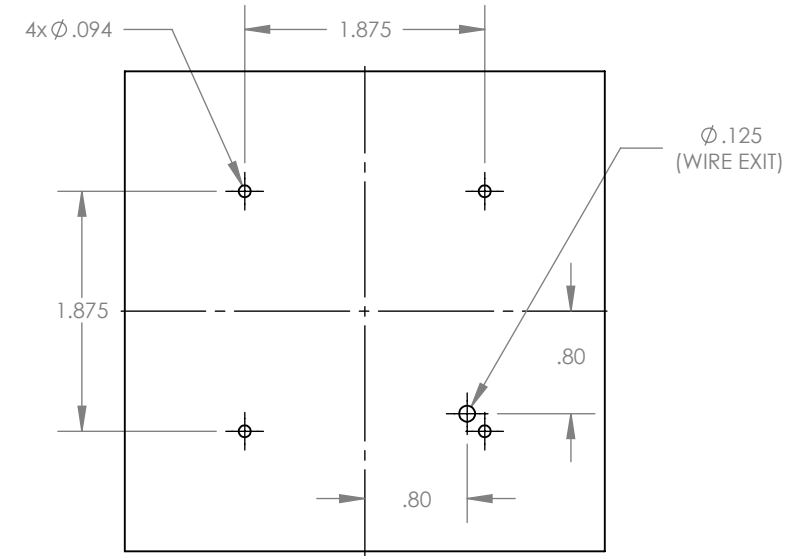
REAR MOUNT PANEL DIMENSIONS



DROP-IN PANEL DIMENSIONS

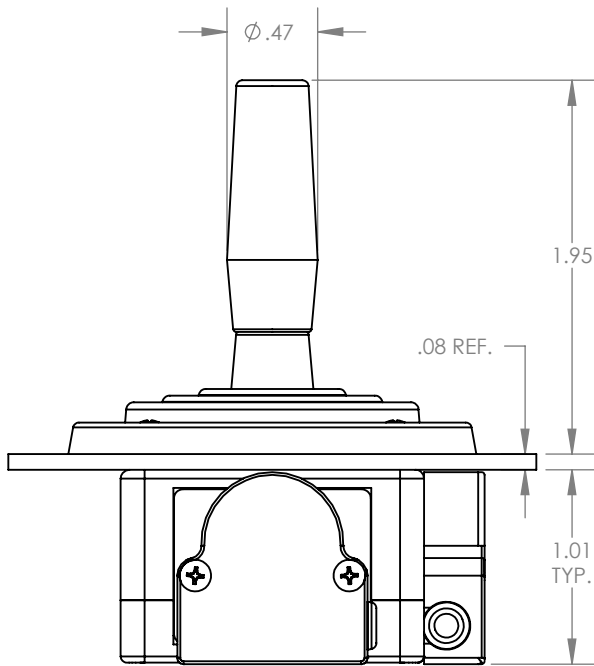


RISER BOX PANEL DIMENSIONS

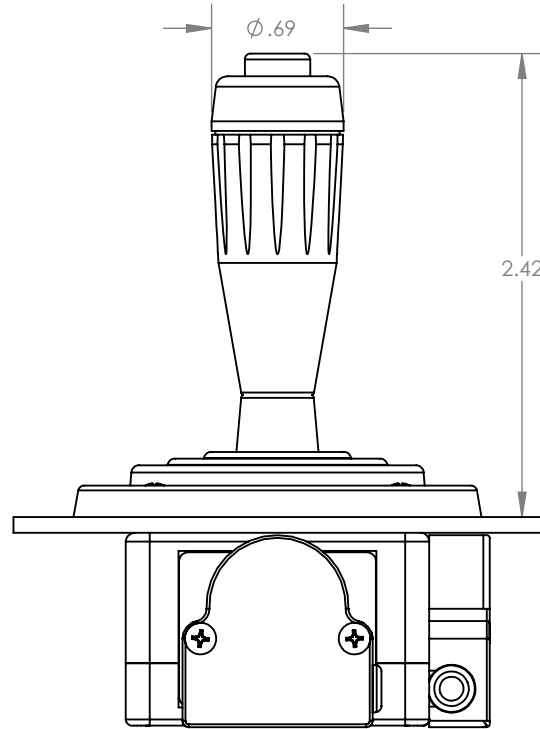


MR - HANDLE OPTIONS

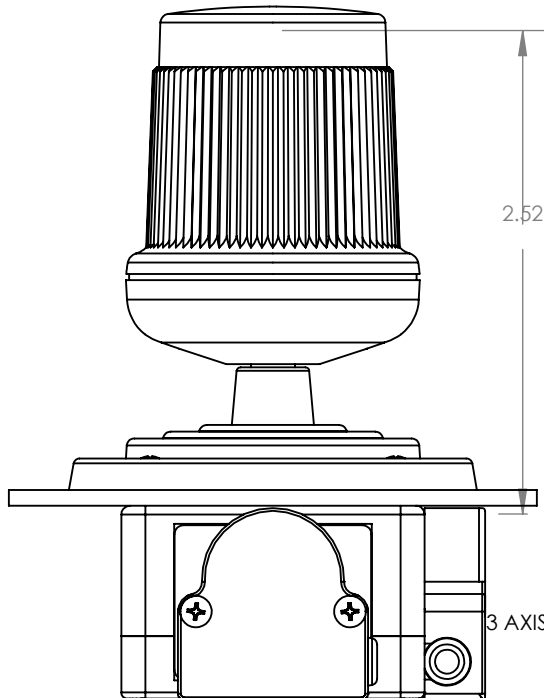
*MOUNTING HEIGHT FOR REAR MOUNT & DROP-IN OPTIONS
*RISER BOX OPTION ADD 1.150" TO PANEL SURFACE



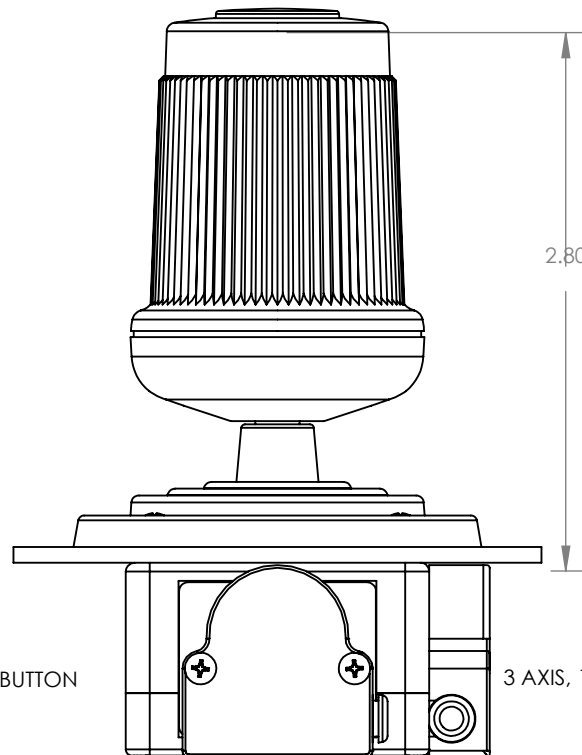
2 AXIS, NO BUTTON



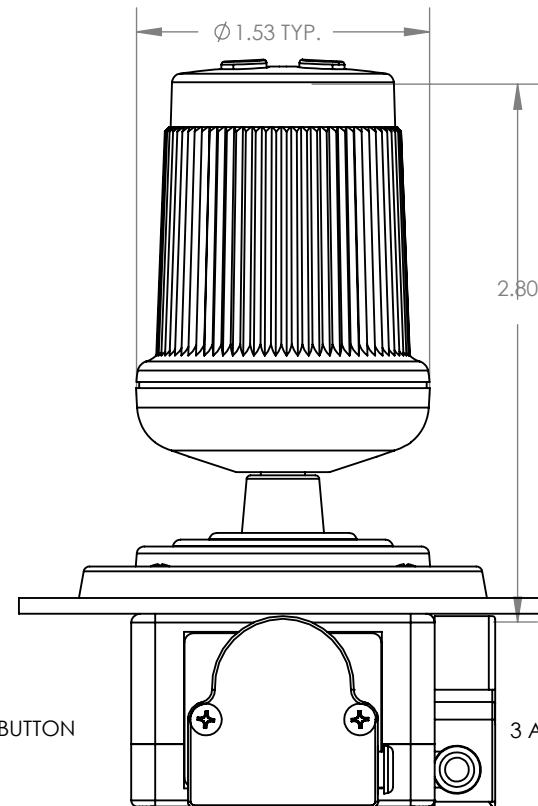
2 AXIS, 1 BUTTON



3 AXIS, NO BUTTON



3 AXIS, 1 BUTTON



3 AXIS, 2 BUTTON