

# MFD Specifications



JOYSTICK MECHANICAL (X & Y AXES, HALL EFFECT)	
ANGLE OF MOVEMENT	40° (20° EACH DIRECTION)
EXPECTED CYCLE LIFE	5 MILLION
CENTERING	SPRING RETURN
MAX. VERTICAL LOAD	75 lbF
MAX. HORIZONTAL LOAD	30 lbF *

\* Measured 1.75" Above Panel Surface

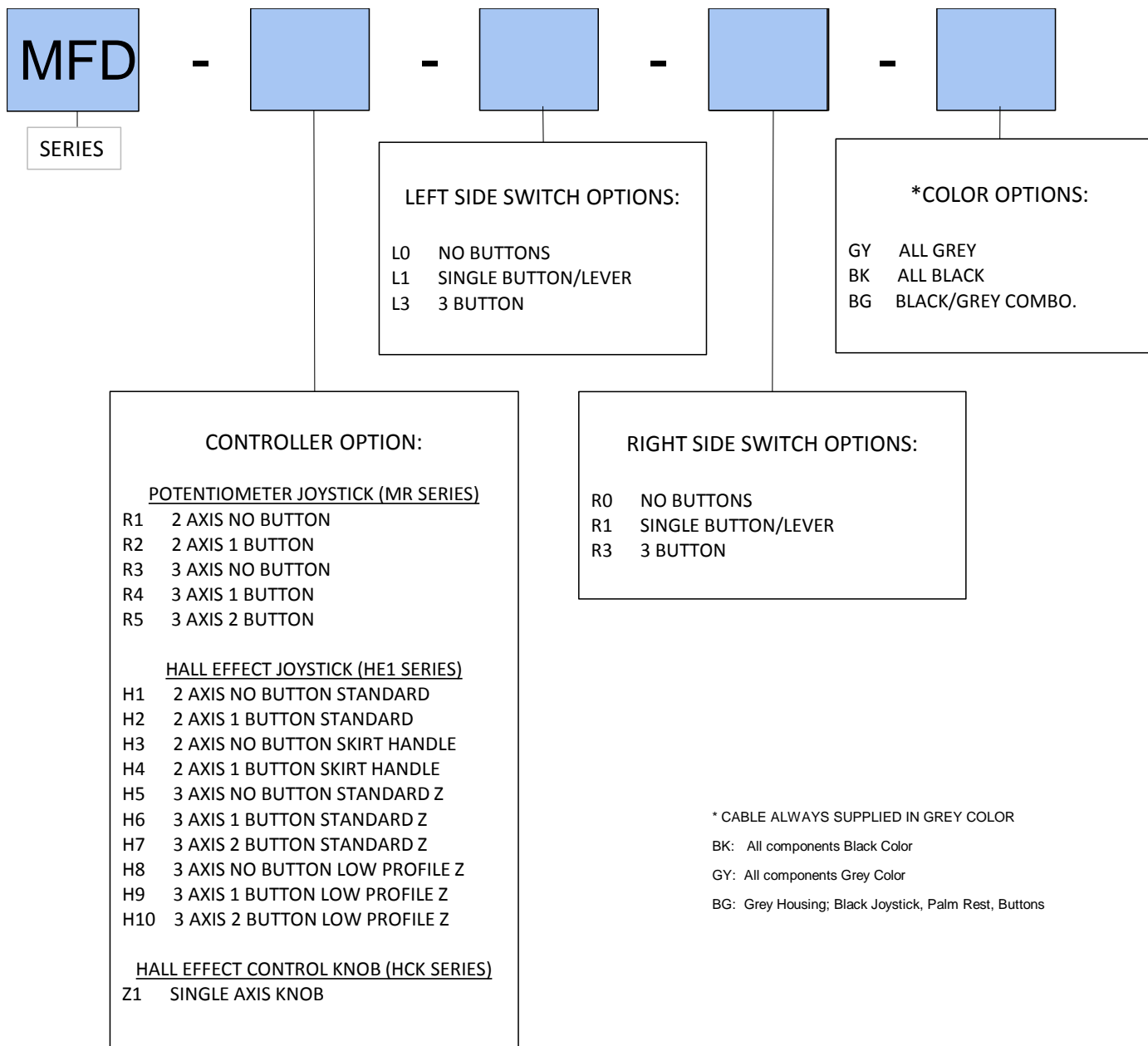
JOYSTICK MECHANICAL (Z AXIS)	
ANGLE	90° (45° EACH DIRECTION)
CENTERING	SPRING RETURN
MAX. APPLIED TORQUE	14 lbFin

ELECTRICAL	
RESOLUTION	10 BIT
SUPPLY VOLTAGE	5VDC via USB CABLE
SYSTEM SUPPORT	WINDOWS (ALL), OSX, LINUX
SUPPORTED PROTOCOLS	USB HID 1.1 GAME CONTROLLER STANDARD DIRECTX HID DRIVERS JOYSTICK: 3 HID AXES PUSHBUTTONS: UP TO 12 HID BUTTONS
CABLE	USB MALE TYPE A, (60") LENGTH

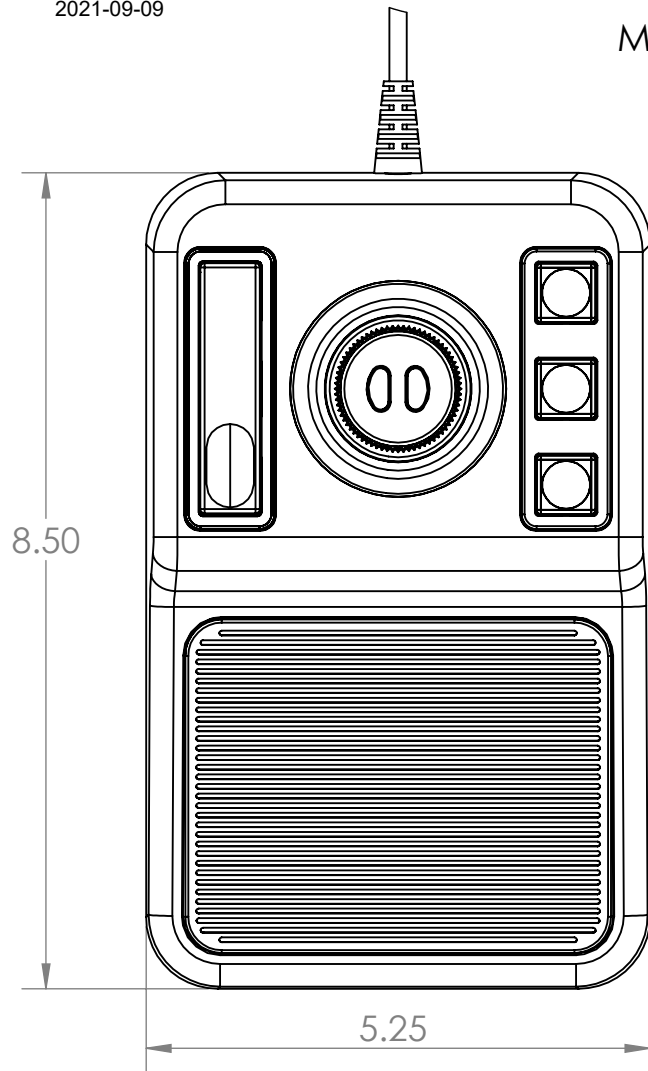
JOYSTICK MECHANICAL (X & Y AXES, RESISTIVE)	
ANGLE OF MOVEMENT	50° (25° EACH DIRECTION)
EXPECTED CYCLE LIFE	3 MILLION
CENTERING	SPRING RETURN
MAX. VERTICAL LOAD	75 lbF
MAX. HORIZONTAL LOAD	24 lbF *

SINGLE AXIS KNOB (HCK VERSION)	
ANGLE	90° (45° EACH DIRECTION)
CENTERING	SPRING RETURN
MAX. APPLIED TORQUE	N/A

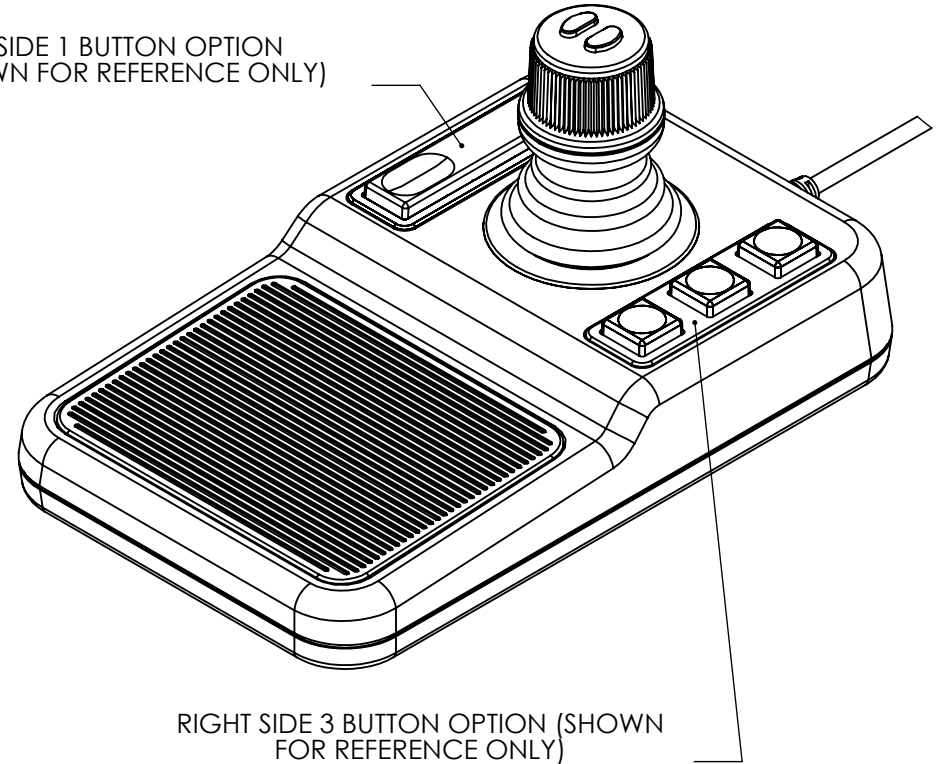
ENVIRONMENTAL	
OPERATING TEMPERATURE	0-140°F (INDOOR USE ONLY)
STORAGE TEMPERATURE	-40°F TO 160°F
EMC IMMUNITY LEVEL	EN61000-4-3
APPROVALS	FCC PART 15 CLASS B EN61000-6-3, EN61000-6-1
EMC EMISSIONS LEVEL	EN61000-6-3
ESD IMMUNITY LEVEL	EN61000-4-2



# MFD SERIES - MULTI FUNCTION DESKTOP SCALE 1:2



LEFT SIDE 1 BUTTON OPTION  
(SHOWN FOR REFERENCE ONLY)



\* 2 BUTTON LOW PROFILE HALL EFFECT CONTROLLER OPTION SHOWN (FOR REFERENCE)

