

HED Specifications

| JOYSTICK MECHANICAL (X & Y AXES) | |
|----------------------------------|--------------------------|
| ANGLE OF MOVEMENT | 50° (25° EACH DIRECTION) |
| EXPECTED CYCLE LIFE | 5 MILLION |
| CENTERING | SPRING RETURN |
| MAX. VERTICAL LOAD | 75 lbf |
| MAX. HORIZONTAL LOAD | 30 lbf * |

* Measured 1.75" Above Panel Surface

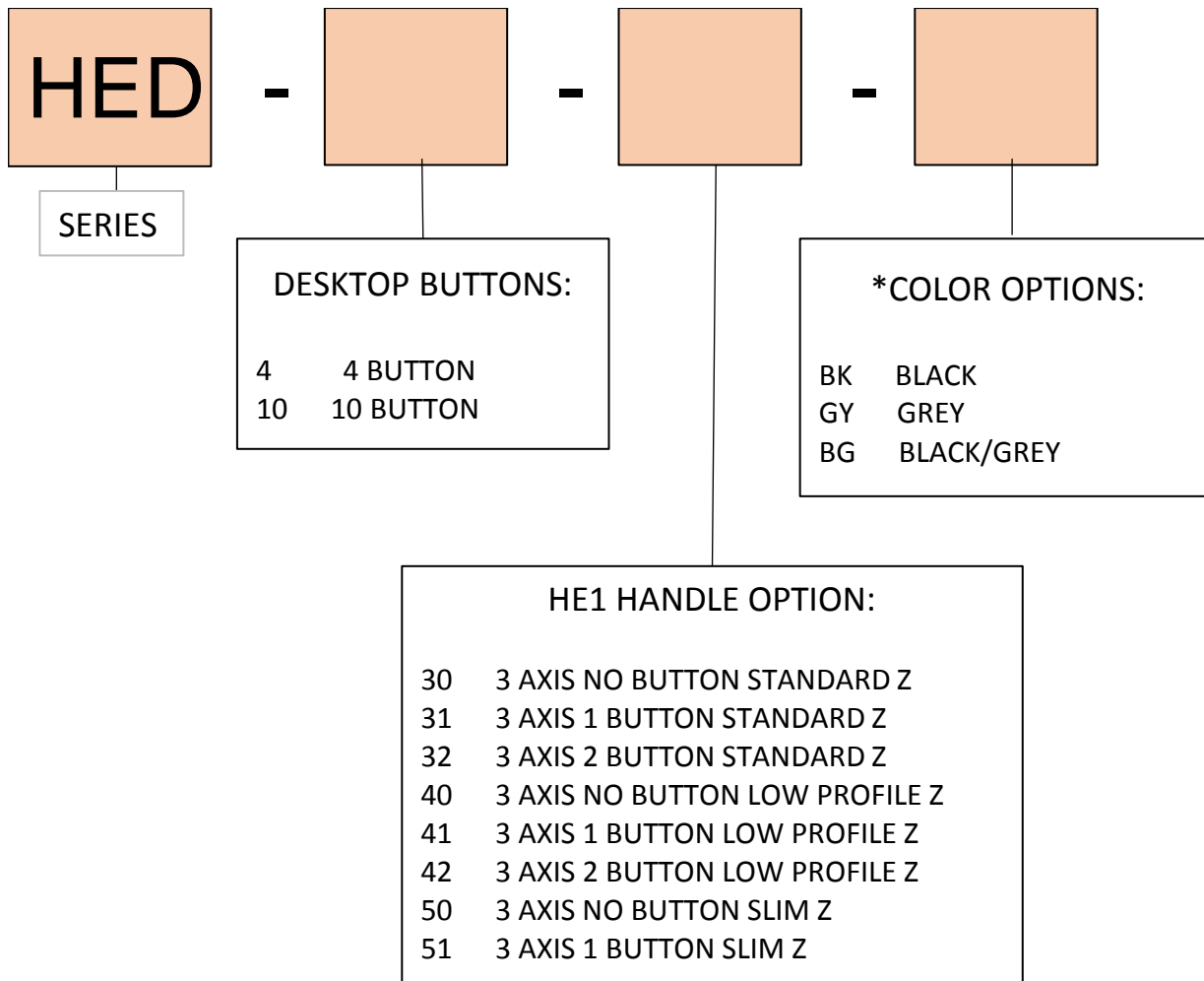
| JOYSTICK MECHANICAL (Z AXIS) | |
|------------------------------|--------------------------|
| ANGLE | 90° (45° EACH DIRECTION) |
| CENTERING | SPRING RETURN |
| MAX. APPLIED TORQUE | 14 lbfIn |

| ELECTRICAL | |
|---------------------|--|
| RESOLUTION | 10 BIT |
| SUPPLY VOLTAGE | 5VDC via USB CABLE |
| SYSTEM SUPPORT | WINDOWS (ALL), OSX, LINUX |
| SUPPORTED PROTOCOLS | USB HID 1.1 GAME CONTROLLER STANDARD DIRECTX HID DRIVERS JOYSTICK: 3 HID AXES PUSHBUTTONS: UP TO 12 HID BUTTONS |
| CABLE | USB MALE TYPE A, 5FT (60") LENGTH |

| ENVIRONMENTAL | |
|-----------------------|---|
| OPERATING TEMPERATURE | 0-140°F (INDOOR USE ONLY) |
| STORAGE TEMPERATURE | -40°F TO 160°F |
| EMC IMMUNITY LEVEL | EN61000-4-3 *Compliance to 30A/m |
| EMC EMISSIONS LEVEL | EN61000-6-3 |
| ESD IMMUNITY LEVEL | EN61000-4-2 *Compliance to ±15kV/±8kV |
| APPROVALS | FCC PART 15 CLASS B EN61000-6-3, EN61000-6-1 |

*Extended Testing Levels





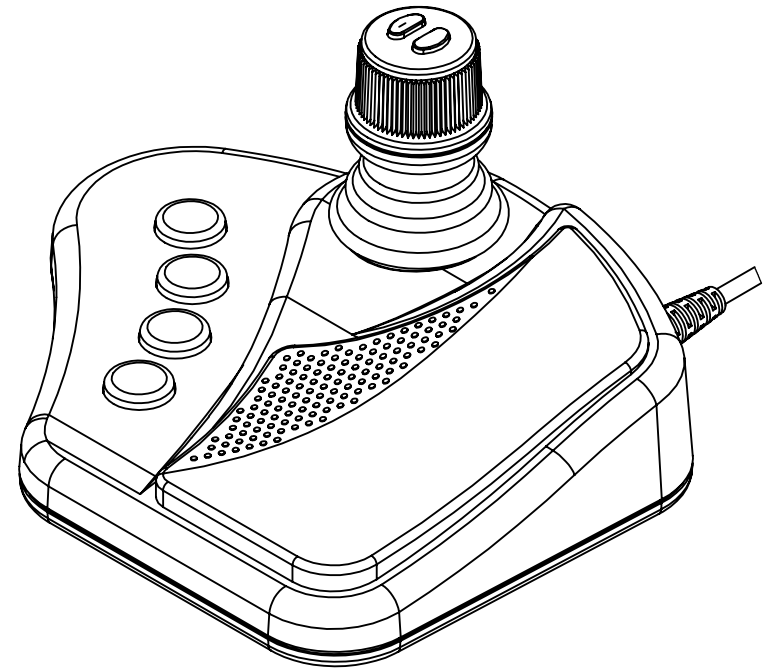
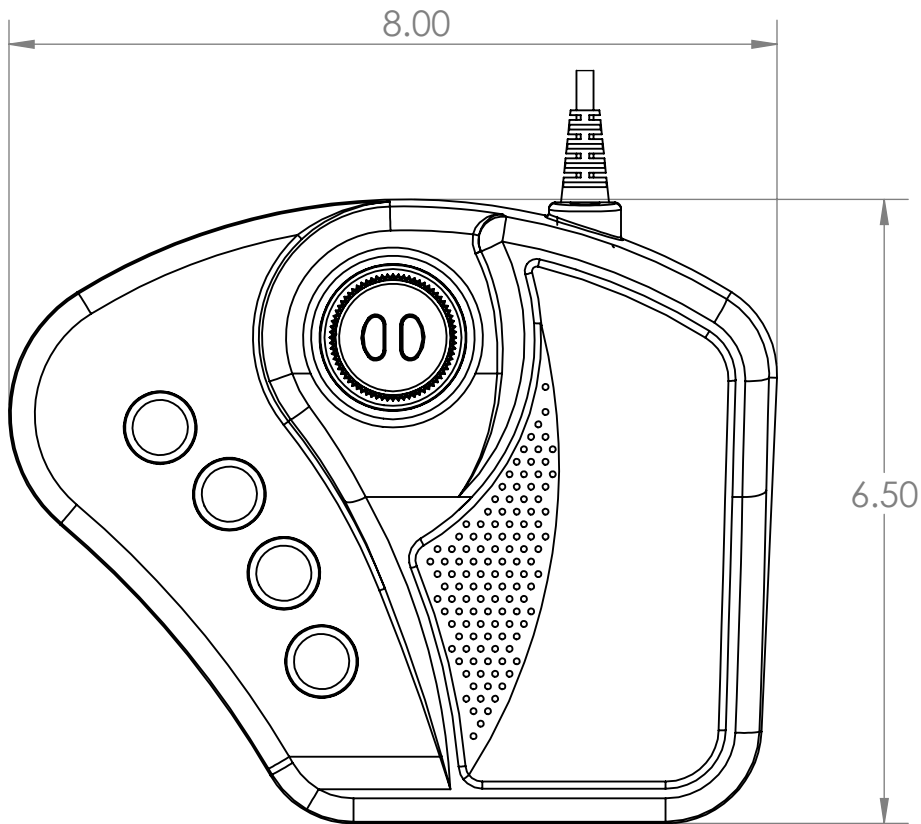
* CABLE ALWAYS SUPPLIED IN GREY COLOR

BK: All components Black Color

GY: All components Grey Color

BG: Grey Housing; Black Joystick, Palm Rest, Buttons

HED - HALL EFFECT DESKTOP



*2 BUTTON LOW PROFILE HANDLE SHOWN (NO BUTTON
LOW PROFILE HEIGHT: 3.76")

