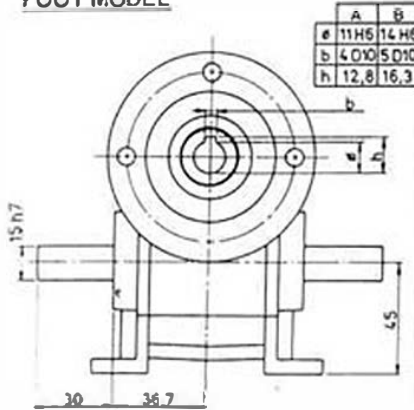


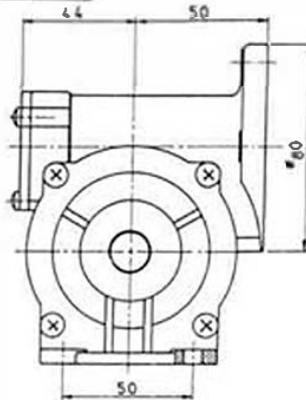
WORM DRIVE C-40



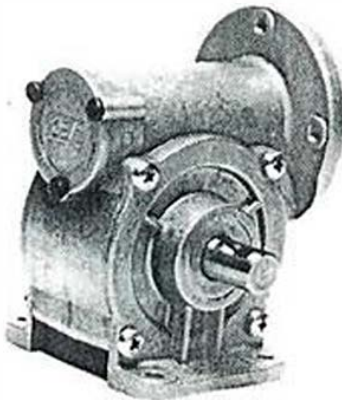
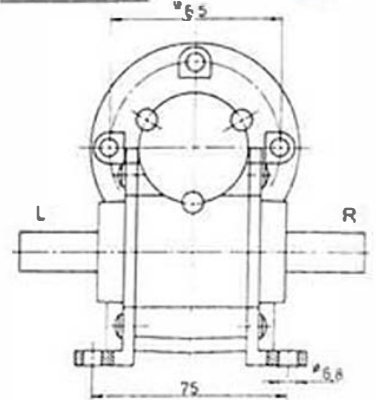
FOOT MODEL



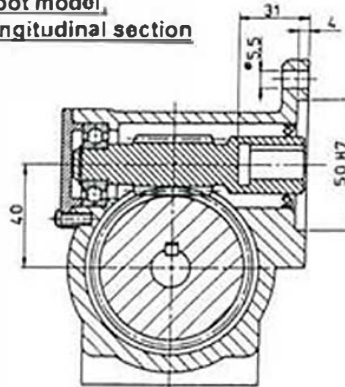
FOOT MODEL



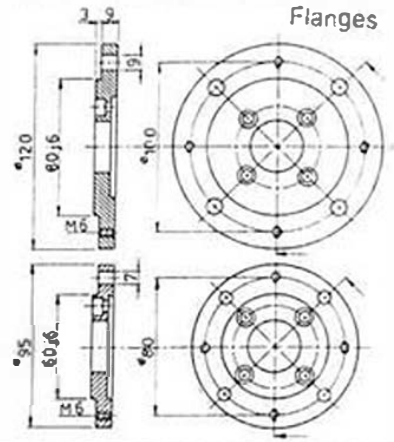
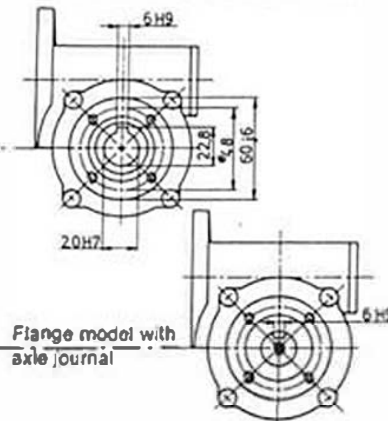
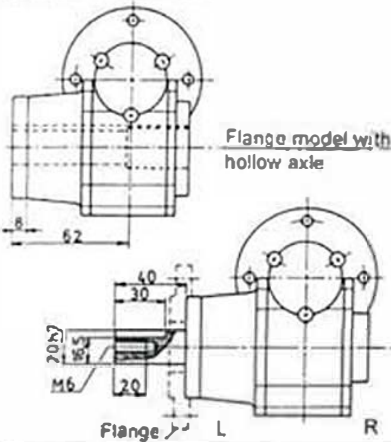
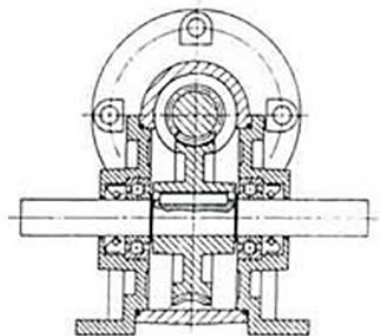
FOOT MODEL



Foot model, longitudinal section



Foot model, cross section



Exchange		6:1	10:1	13:1	15:1	20:1	25:1	30:1	40:1	50:1	60:1	75:1
Efficiency		0.77	0.71	0.70	0.68	0.64	0.60	0.56	0.50	0.49	0.42	0.36
Input 1360 U.min <sup>-1</sup>	Kw	0.30	0.30	0.30	0.28	0.23	0.20	0.18	0.14	0.11	0.10	0.08
	Nm	2.1	2.1	2.1	2.0	1.6	1.4	1.3	1.0	0.8	0.7	0.6
Out (v)	Nm	9.7	15.0	19.2	20.1	20.7	21.1	21.2	19.7	18.9	17.7	15.2
	U.min <sup>-1</sup>	2.27	136	105	91	68	54	45	34	27	23	18

The values are advisory (without a security factor).  
 The values include an operational factor of 1.0 and 80% operation.  
 Tempered worm and bronze wheels,  
 With revolutions > 1500 U.min<sup>-1</sup> the gear should be installed with the worm down.  
 Can be delivered in special designs.  
 Can be delivered with motor (AC,DC).

Right-handed R  
 Left-handed L  
 Two-handed R/L

