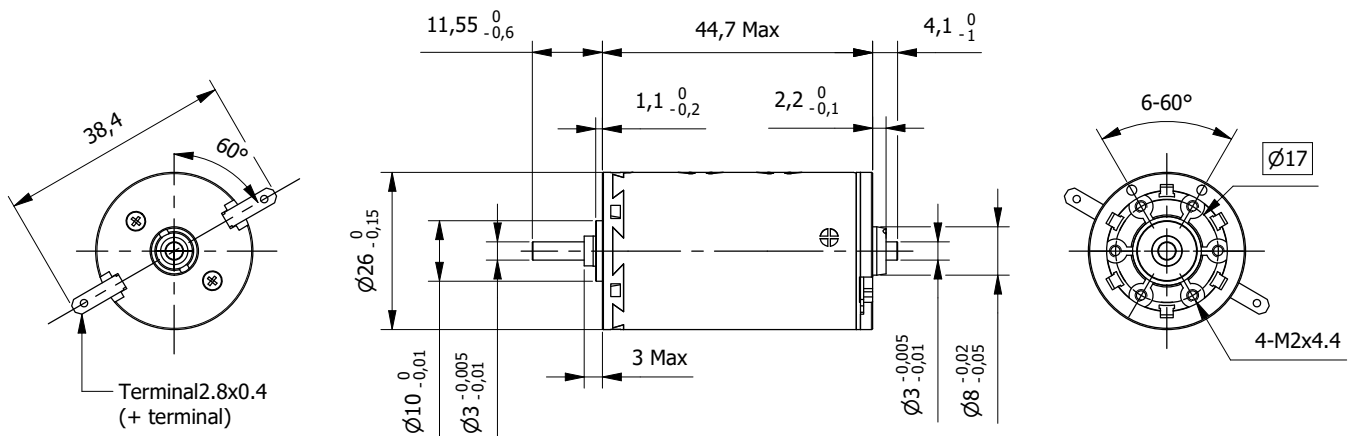


# Brushed DC Coreless Motor 26DC44P-PM $\varnothing$ 26mm - 28,8mNm

Precious Metal brushes



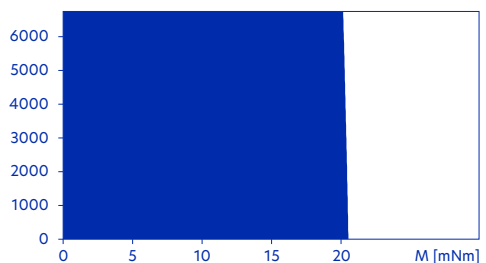
Product also available with ball bearings

Specification		Model	...3702	...3409
1	Rated Voltage	V	12	24
2	Rated Speed	rpm	3790	3450
3	Rated Torque	mNm	20,8	28,8
4	Stall Torque	mNm	140	138
5	Torque Constant	mNm/A	25,6	52,2
6	Motor Regulation	$10^3/\text{Nms}$	3,3	3,3
7	Rated Current	A	0,84	0,564
8	Stall Current	A	5,49	2,64
9	No-load Current	mA	271	132
10	No-load Speed	rpm	4460	4370
11	Line to Line Resistance	$\Omega$	2,19	9,08
12	Line to Line Inductance	mH	0,278	1,16
13	Rotor Inertia	gcm <sup>2</sup>	14,9	15,2
14	Max. Efficiency	%	87	87
15	Mechanical Time Constant	ms	4,99	5,06
16	Length (L)	mm	44,7	44,7
17	Weight	g	120	120

Characteristics	
Item	
Ambient Temperature Sleeve bearings	-30°C to +65°C
Max. Winding Temperature	+85°C
Max. Speed	6700rpm
Radial play	0,012mm
Axial play	0,1 to 0,2mm
Max. Radial force (5mm from flange)	5,5N
Max. Axial force	1,7N
Max. Force for Press fit	80N

Standard Combination	
Gearbox	
26GPS	
* other options on request	

Operating range: Winding 12V

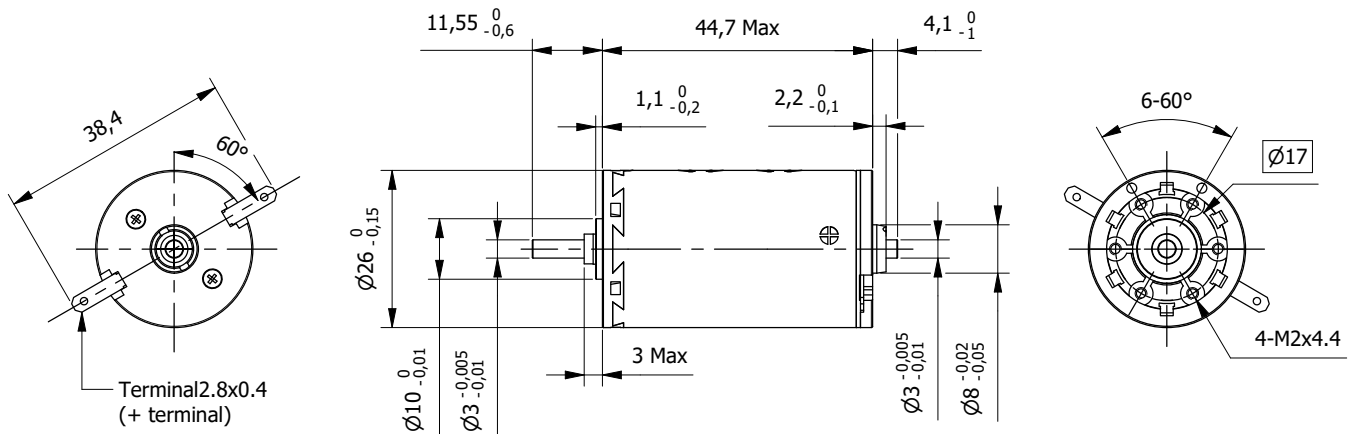


- Continuous operation
- Continuous operation with reduced Line to line Resistance (50%)
- Intermittent operation

# Brushed DC Coreless Motor 26DC44P-G

Graphite brushes

**Ø 26mm - 28,3mNm**



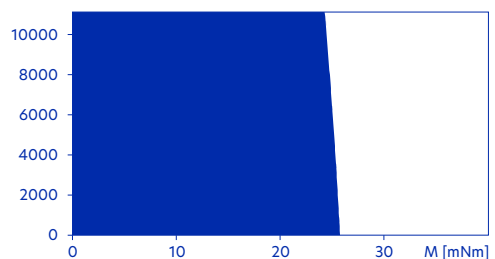
Product also available with ball bearings

Specification		Model	...8102	...7809
1	Rated Voltage	V	24	48
2	Rated Speed	rpm	8100	7840
3	Rated Torque	mNm	26,3	28,3
4	Stall Torque	mNm	287	277
5	Torque Constant	mNm/A	25,6	52,2
6	Motor Regulation	10 <sup>3</sup> /Nms	3,3	3,3
7	Rated Current	A	1,08	0,567
8	Stall Current	A	11,2	5,31
9	No-load Current	mA	53	25,7
10	No-load Speed	rpm	8920	8730
11	Line to Line Resistance	Ω	2,14	9,04
12	Line to Line Inductance	mH	0,278	1,16
13	Rotor Inertia	gcm <sup>2</sup>	14,9	15,2
14	Max. Efficiency	%	87	87
15	Mechanical Time Constant	ms	4,89	5,04
16	Length (L)	mm	44,7	44,7
17	Weight	g	120	120

Characteristics	
Item	
Ambient Temperature Sleeve bearings	-30°C to +85°C
Max. Winding Temperature	+100°C
Max. Speed	11000rpm
Radial play	0,012mm
Axial play	0,1 to 0,2mm
Max. Radial force (5mm from flange)	5,5N
Max. Axial force	1,7N
Max. Force for Press fit	80N

Standard Combination	
Gearbox	
26GPS	
* other options on request	

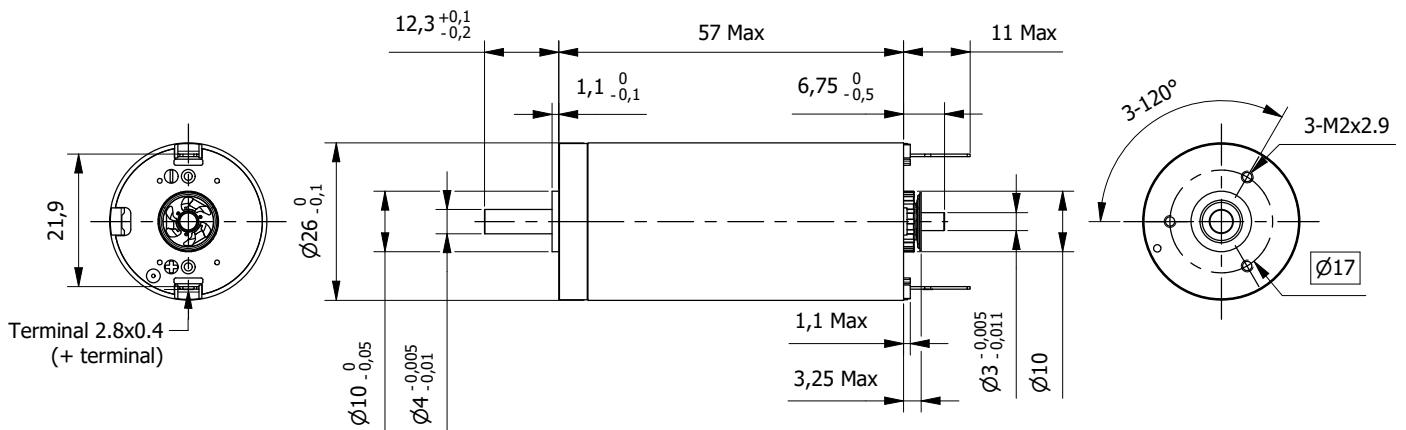
Operating range: Winding 24V



- Continuous operation
- Continuous operation with reduced Line to line Resistance (50%)
- Intermittent operation

# Brushed DC Coreless Motor 26DC57N-PM Ø 26mm - 52,3mNm

Precious Metal brushes



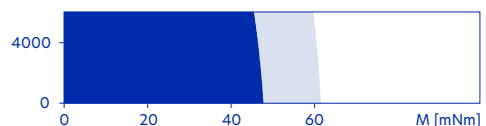
Product also available with ball bearings

Specification		...5003	...4606	...4602	...4511	
1	Rated Voltage	V	9	12	24	48
2	Rated Speed	rpm	5060	4690	4600	4570
3	Rated Torque	mNm	32,9	46,1	52,3	50,3
4	Stall Torque	mNm	384	384	384	355
5	Torque Constant	mNm/A	15,5	21,4	42,9	85,8
6	Motor Regulation	10 <sup>3</sup> /Nms	1,5	1,5	1,5	1,5
7	Rated Current	A	2,2	2,2	1,25	0,599
8	Stall Current	A	24,8	17,9	8,95	4,14
9	No-load Current	mA	80,5	56,8	28,4	14,2
10	No-load Speed	rpm	5530	5330	5330	5320
11	Line to Line Resistance	Ω	0,363	0,671	2,68	11,6
12	Line to Line Inductance	mH	0,067	0,129	0,514	2,06
13	Rotor Inertia	gcm <sup>2</sup>	21,3	21,4	21,2	19,7
14	Max. Efficiency	%	89	89	89	89
15	Mechanical Time Constant	ms	3,23	3,13	3,09	3,11
16	Length (L)	mm	57	57	57	57
17	Weight	g	170	170	170	170

Characteristics	
Item	
Ambient Temperature Sleeve bearings	-30°C to +85°C
Max. Winding Temperature	+100°C
Max. Speed	5900rpm
Radial play	0,02mm
Axial play	0 to 0,2mm
Max. Radial force (5mm from flange)	5,5N
Max. Axial force	0,1N
Max. Force for Press fit	80N

Standard Combination	
Gearbox	
26GPS	
* other options on request	

Operating range: Winding 18V

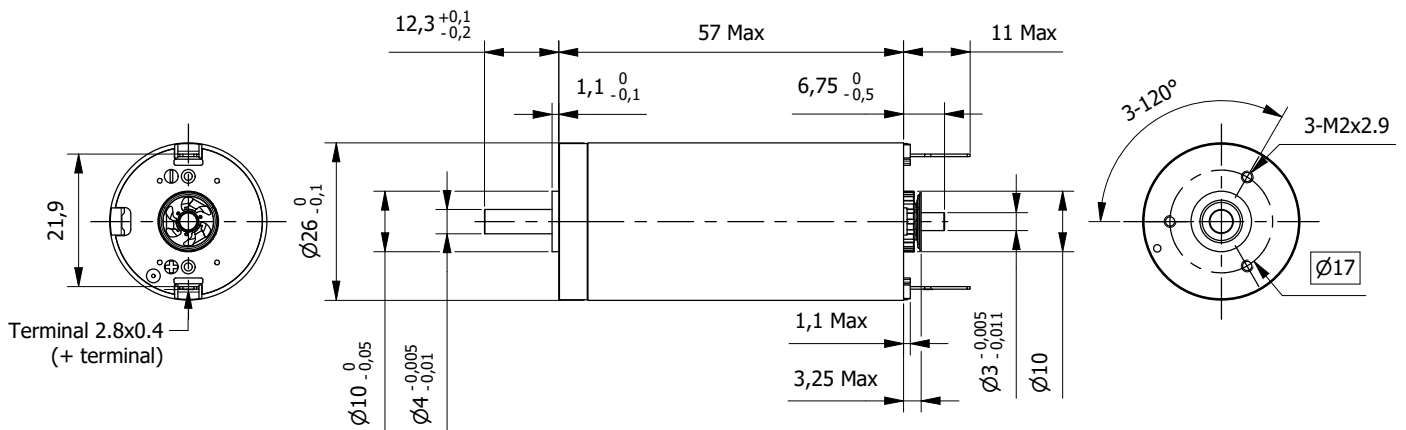


- Continuous operation
- Continuous operation with reduced Line to line Resistance (50%)
- Intermittent operation

# Brushed DC Coreless Motor 26DC57N-G

Graphite brushes

Ø 26mm - 59,1mNm



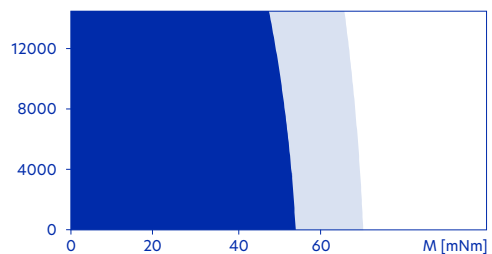
Product also available with ball bearings

Specification		...9402	...9607	...9702	
1	Rated Voltage	V	12	24	48
2	Rated Speed	rpm	9460	9690	9730
3	Rated Torque	mNm	46,9	57,8	59,1
4	Stall Torque	mNm	532	695	697
5	Torque Constant	mNm/A	10,7	21,4	42,9
6	Motor Regulation	10 <sup>3</sup> /Nms	2,1	1,6	1,6
7	Rated Current	A	4,5	2,76	1,41
8	Stall Current	A	49,7	32,4	16,2
9	No-load Current	mA	131	65,7	32,9
10	No-load Speed	rpm	10600	10700	10700
11	Line to Line Resistance	Ω	0,242	0,74	2,95
12	Line to Line Inductance	mH	0,032	0,129	0,514
13	Rotor Inertia	gcm <sup>2</sup>	21,4	21,4	21,2
14	Max. Efficiency	%	88	91	91
15	Mechanical Time Constant	ms	4,5	3,45	3,4
16	Length (L)	mm	57	57	57
17	Weight	g	170	170	170

Characteristics	
Item	
Ambient Temperature Sleeve bearings	-30°C to +100°C
Max. Winding Temperature	+155°C
Max. Speed	8600rpm
Radial play	0,02mm
Axial play	0 to 0,2mm
Max. Radial force (5mm from flange)	5,5N
Max. Axial force	0,1N
Max. Force for Press fit	80N

Standard Combination	
Gearbox	
26GPS	
* other options on request	

Operating range: Winding 18V



- Continuous operation
- Continuous operation with reduced Line to line Resistance (50%)
- Intermittent operation