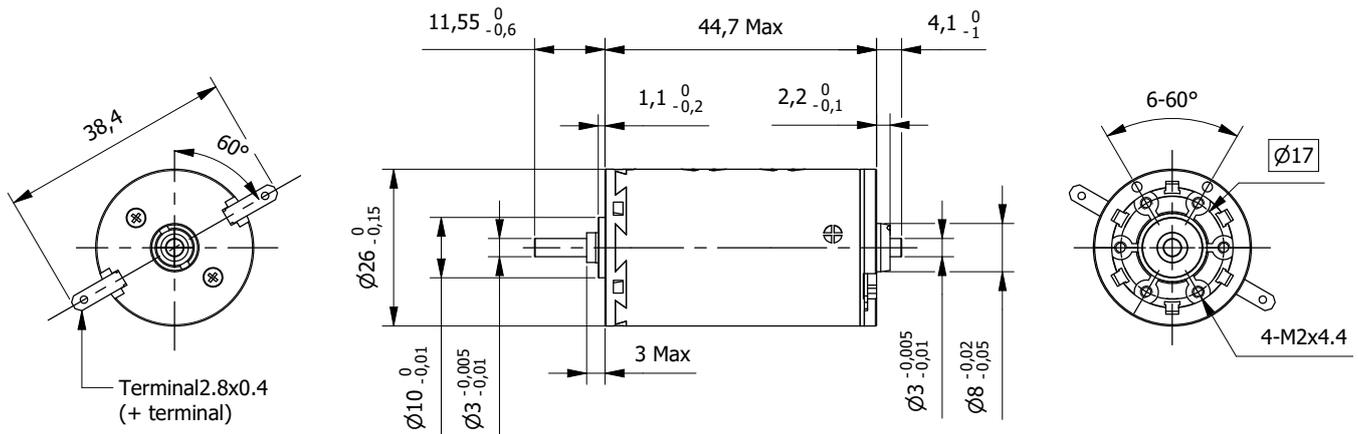


# Brushed DC Coreless Motor 26DC44P-PM $\varnothing$ 26mm - 28,8mNm

Precious Metal brushes



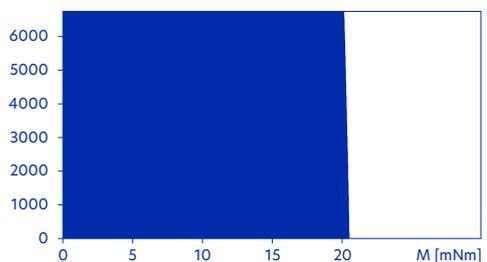
Product also available with ball bearings

Specification		Model	...3702	...3409
1	Rated Voltage	V	12	24
2	Rated Speed	rpm	3790	3450
3	Rated Torque	mNm	20,8	28,8
4	Stall Torque	mNm	140	138
5	Torque Constant	mNm/A	25,6	52,2
6	Motor Regulation	$10^3/Nms$	3,3	3,3
7	Rated Current	A	0,84	0,564
8	Stall Current	A	5,49	2,64
9	No-load Current	mA	271	132
10	No-load Speed	rpm	4460	4370
11	Line to Line Resistance	$\Omega$	2,19	9,08
12	Line to Line Inductance	mH	0,278	1,16
13	Rotor Inertia	gcm <sup>2</sup>	14,9	15,2
14	Max. Efficiency	%	87	87
15	Mechanical Time Constant	ms	4,99	5,06
16	Length (L)	mm	44,7	44,7
17	Weight	g	120	120

Characteristics	
Item	
Ambient Temperature Sleeve bearings	-30°C to +65°C
Max. Winding Temperature	+85°C
Max. Speed	6700rpm
Radial play	0,012mm
Axial play	0,1 to 0,2mm
Max. Radial force (5mm from flange)	5,5N
Max. Axial force	1,7N
Max. Force for Press fit	80N

Standard Combination	
Gearbox	
26GPS	
* other options on request	

Operating range: Winding 12V



- Continuous operation
- Continuous operation with reduced Line to line Resistance (50%)
- Intermittent operation