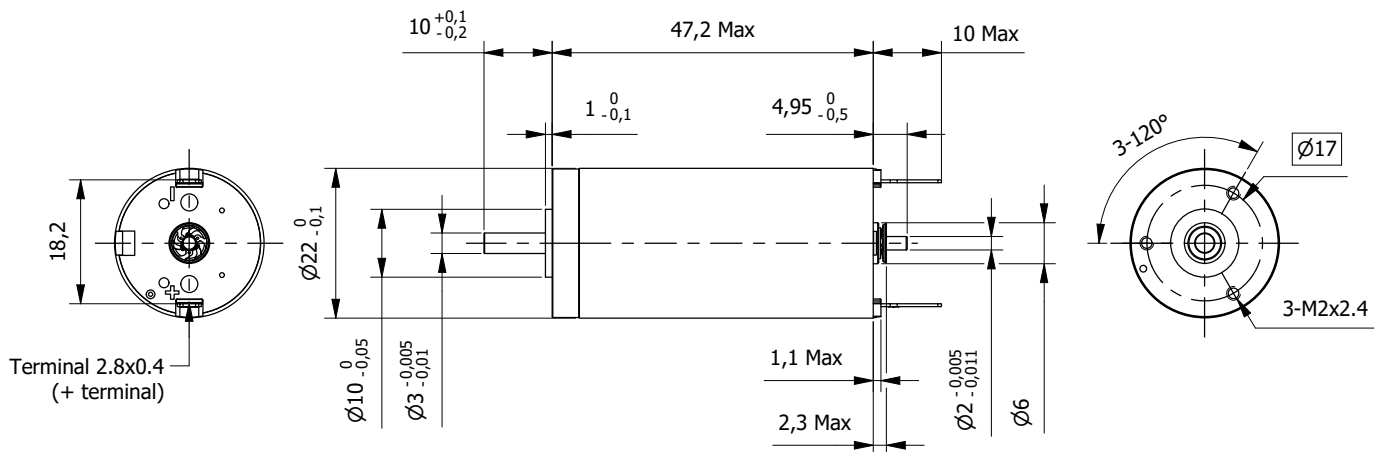


Brushed DC Coreless Motor 22DC47N-PM Ø 22mm - 29,5mNm

Precious Metal brushes



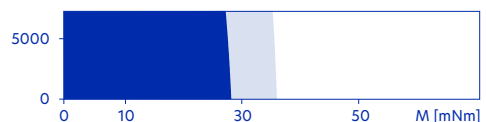
Product also available with ball bearings

Specification		...5303	...4001	...4007	...4129	
1	Rated Voltage	V	6	12	24	48
2	Rated Speed	rpm	5380	4000	4070	4180
3	Rated Torque	mNm	14,1	29,5	29,2	27,8
4	Stall Torque	mNm	170	150	150	140
5	Torque Constant	mNm/A	9,73	22,9	45,2	87,6
6	Motor Regulation	10 ³ /Nms	3,6	3,5	3,5	3,9
7	Rated Current	A	1,5	1,3	0,655	0,322
8	Stall Current	A	17,5	6,54	3,31	1,6
9	No-load Current	mA	51	20	10,2	5,36
10	No-load Speed	rpm	5870	4980	5060	5220
11	Line to Line Resistance	Ω	0,343	1,84	7,25	29,9
12	Line to Line Inductance	mH	0,035	0,192	0,746	2,8
13	Rotor Inertia	gcm ²	9,06	9	8,85	8,12
14	Max. Efficiency	%	89	89	89	89
15	Mechanical Time Constant	ms	3,28	3,14	3,14	3,17
16	Length (L)	mm	47,2	47,2	47,2	47,2
17	Weight	g	95	95	95	95

Characteristics	
Item	
Ambient Temperature Sleeve bearings	-30°C to +85°C
Max. Winding Temperature	+100°C
Max. Speed	7160rpm
Radial play	0,02mm
Axial play	0 to 0,2mm
Max. Radial force (5mm from flange)	3N
Max. Axial force	0,1N
Max. Force for Press fit	80N

Standard Combination	
Gearbox	
22GPS	
* other options on request	

Operating range: Winding 18V



- Continuous operation
- Continuous operation with reduced Line to line Resistance (50%)
- Intermittent operation