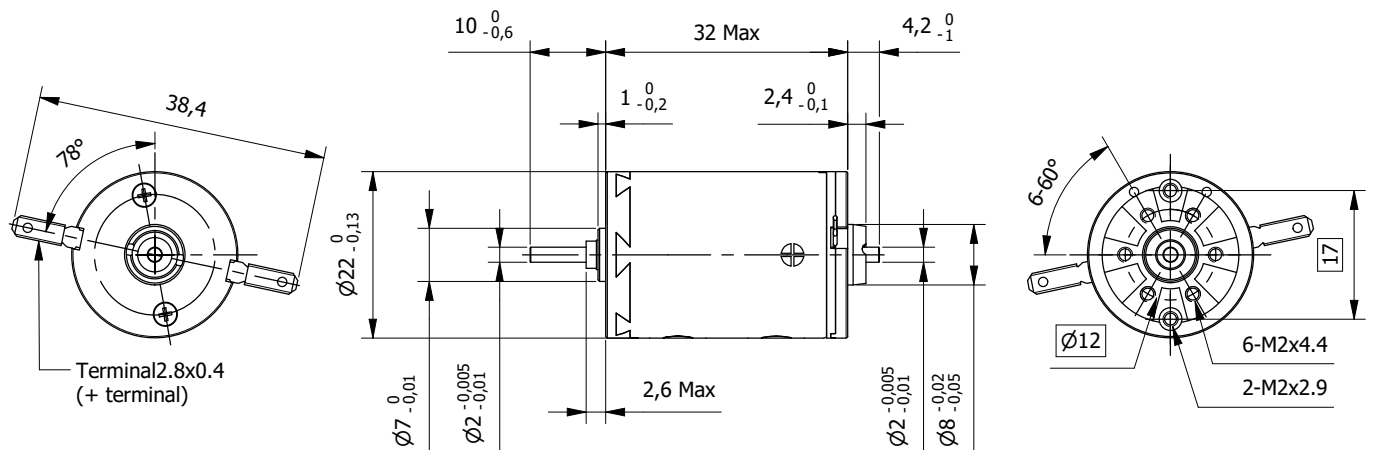


Brushed DC Coreless Motor 22DC32P-PM

Ø 22mm - 10,4mNm

Precious Metal brushes



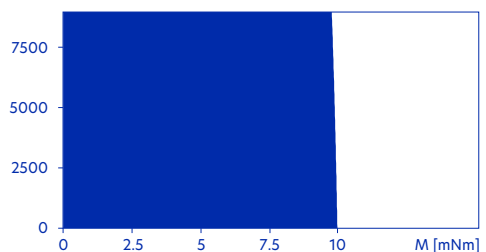
Product also available with ball bearings

Specification		...4201	...4206	...3433	
1	Rated Voltage	V	6	12	24
2	Rated Speed	rpm	4280	4240	3440
3	Rated Torque	mNm	8,54	10,3	10,4
4	Stall Torque	mNm	39	36,9	33,3
5	Torque Constant	mNm/A	10,4	19,3	44,8
6	Motor Regulation	10 ³ /Nms	14,8	16,9	16,6
7	Rated Current	A	0,84	0,543	0,236
8	Stall Current	A	3,75	1,91	0,721
9	No-load Current	mA	20,8	11,7	4,62
10	No-load Speed	rpm	5480	5890	5090
11	Line to Line Resistance	Ω	1,6	6,28	33,3
12	Line to Line Inductance	mH	0,119	0,413	2,21
13	Rotor Inertia	gcm ²	5,7	4,98	5,05
14	Max. Efficiency	%	87,5	85,2	84,9
15	Mechanical Time Constant	ms	8,44	8,36	8,39
16	Length (L)	mm	32	32	32
17	Weight	g	53,8	53,8	53,8

Characteristics	
Item	
Ambient Temperature Sleeve bearings	-30°C to +65°C
Max. Winding Temperature	+85°C
Max. Speed	9000rpm
Radial play	0,012mm
Axial play	0,05 to 0,15mm
Max. Radial force (5mm from flange)	2,8N
Max. Axial force	1N
Max. Force for Press fit	80N

Standard Combination	
Gearbox	
22GPS	
* other options on request	

Operating range: Winding 12V



- Continuous operation
- Continuous operation with reduced Line to line Resistance (50%)
- Intermittent operation