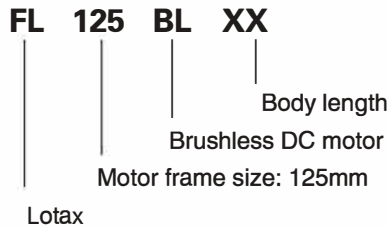




Brushless DC Motor

FL125BL SERIES

● INDICATIONS OF THE MODELS



● GENERAL SPECIFICATIONS

Winding type	Star
Hall effect angle	120 degree electrical angle
Shaft run out	0.05mm
Radial play	0.025mm@460g
End play	0.08mm@4000g
Max. radial force	220N@20mm from the flange
Max. axial force	60N
Insulation class	Class/F
Dielectric strength	500VAC for one minute
Insulation resistance	100MΩ Min., 500VDC

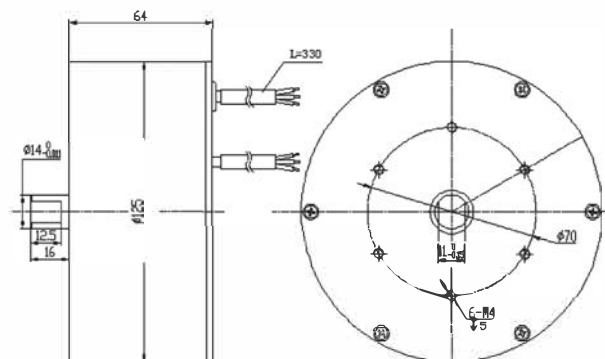
● ELECTRIC CONNECTION

Lead No.	Lead Color	Lead Gauge	Function	Description
1	Red	UL1332 AWG22	Vcc	POWER SUPPLY POSITIVE OF HALL: +5VDC→+24VDC
2	Blue		Hall A	
3	Green		Hall B	
4	White		Hall C	
5	Black	UL3135 AWG14	GND	POWER SUPPLY NEGATIVE OF HALL
6	Yellow		Phase U	
7	Red		Phase V	
8	Black		Phase W	

● ELECTRICAL SPECIFICATIONS

Model	FL125BL60	
Number of poles		24
Number of phase		3
Rated voltage	VDC	60
Rated speed	RPM	480
Rated torque	N.m	6.8
Rated power	W	340
Peak torque	N.m	40
Peak current	A	46
Resistance	ohms	0.77
Inductance	mH	2.64
Torque constant	Nm/A	0.88
Back E.M.F	Vrms/KRPM	65
Rotor inertia	g.cm ²	2100
Body length(L)	mm	64
Weight	Kg	2.9

● DIMENSIONS



*Product developing, only available for samples.