

## SPECIFICATION

Model		86BLS58	86BLS71	
1	N° OF POLE	8	8	
2	N° OF PHASE	3	3	
3	RATED VOLTAGE	V	48	48
4	RATED SPEED	rpm	3000	3000
5	RATED TORQUE	Nm	0,35	0,7
6	MAX PEAK TORQUE	Nm	1,05	2,1
7	TORQUE CONSTANT	Nm/A	0,116	0,124
8	LINE TO LINE RESISTANCE	$\Omega$	0,90	0,34
9	LINE TO LINE INDUCTANCE	mH	2,60	1,00
10	MAX PEAK CURRENT	A	9,5	20
11	RATED CURRENT	A	3,02	5,65
12	NO-LOAD CURRENT	mA	540	800
13	LENGTH	mm	58	71
14	ROTOR INERTIA	g-cm <sup>2</sup>	400	800
15	WEIGHT	Kg	1,6	2,12

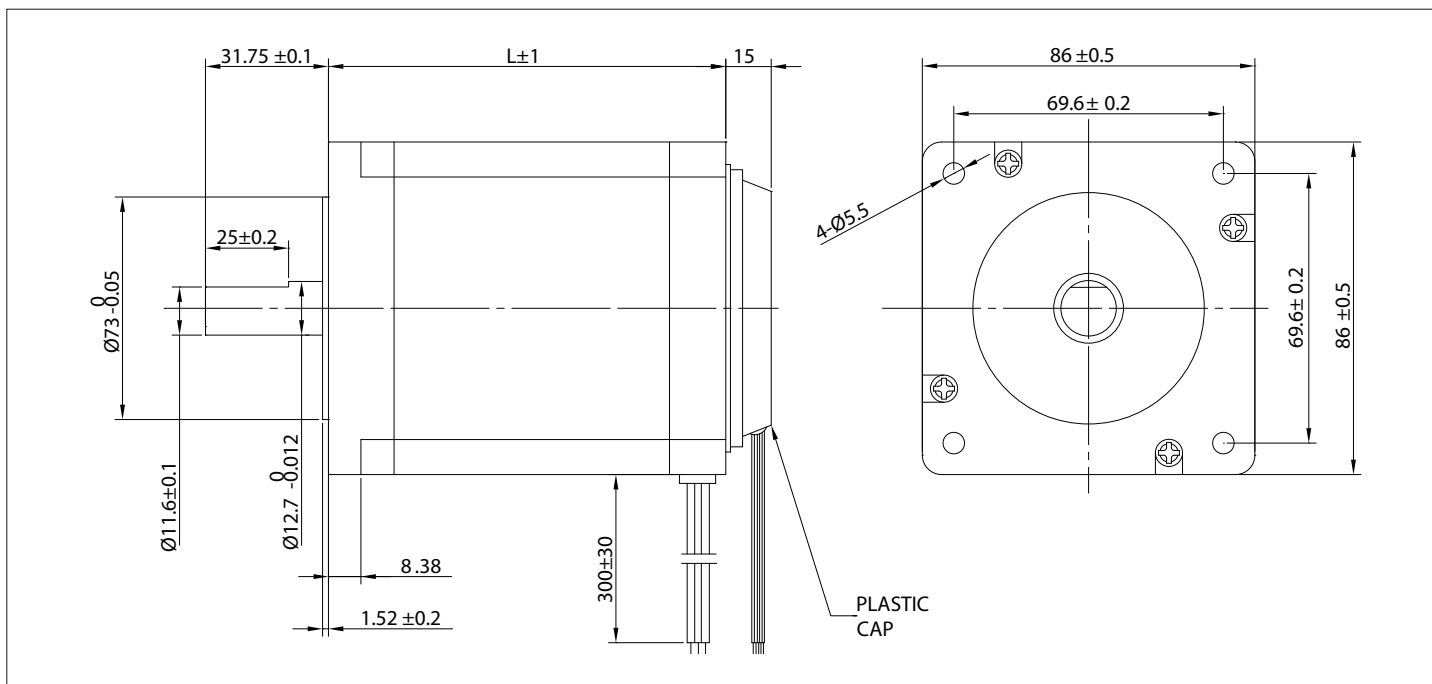


## CONNECTION

Lead N°	Color	Gauge	Function
1	RED	UL1332 AWG22	VCC HALL SENSOR +5 TO +24 VDC
2	BLUE	UL1332 AWG22	HALL A
3	GREEN	UL1332 AWG22	HALL B
4	WHITE	UL1332 AWG22	HALL C
5	BLACK	UL1332 AWG22	HALL SENSOR GROUND
6	YELLOW & YELLOW/WHITE	UL1332 AWG18	PHASE U
7	RED & RED/WHITE	UL1332 AWG18	PHASE V
8	BLACK & BLACK/WHITE	UL1332 AWG18	PHASE W

## CHARACTERISTICS

Item	
HALL EFFECT ANGLE	120°
SHAFT RUN OUT	0,05 mm
INSULATION CLASS	B
RADIAL PLAY (450 g LOAD)	0,02 mm
AXIAL PLAY (450 g LOAD)	0,08 mm
MAX RADIAL FORCE (20 mm FROM FRONT FLANGE)	220N
MAX AXIAL FORCE	60N
Dielectric Strength	500 VDC FOR ONE MINUTE
INSULATION RESISTANCE	100 Mohm min. 500 VDC



## SPECIFICATION

Model		86BLS98	86BLS125
1	N° OF POLE	8	8
2	N° OF PHASE	3	3
3	RATED VOLTAGE	V	48
4	RATED SPEED	rpm	3000
5	RATED TORQUE	Nm	1,4
6	MAX PEAK TORQUE	Nm	4,2
7	TORQUE CONSTANT	Nm/A	0,127
8	LINE TO LINE RESISTANCE	Ω	0,16
9	LINE TO LINE INDUCTANCE	mH	0,50
10	MAX PEAK CURRENT	A	33
11	RATED CURRENT	A	11,02
12	NO-LOAD CURRENT	mA	1450
13	LENGTH	mm	98
14	ROTOR INERTIA	g-cm <sup>2</sup>	1600
15	WEIGHT	Kg	3,15



## CONNECTION

Lead N°	Color	Gauge	Function
1	RED	UL1332 AWG22	VCC HALL SENSOR +5 TO +24 VDC
2	BLUE	UL1332 AWG22	HALL A
3	GREEN	UL1332 AWG22	HALL B
4	WHITE	UL1332 AWG22	HALL C
5	BLACK	UL1332 AWG22	HALL SENSOR GROUND
6	YELLOW & YELLOW/WHITE	UL1332 AWG18	PHASE U
7	RED & RED/WHITE	UL1332 AWG18	PHASE V
8	BLACK & BLACK/WHITE	UL1332 AWG18	PHASE W

## CHARACTERISTICS

Item	
HALL EFFECT ANGLE	120°
SHAFT RUN OUT	0,05 mm
INSULATION CLASS	B
RADIAL PLAY (450 g LOAD)	0,02 mm
AXIAL PLAY (450 g LOAD)	0,08 mm
MAX RADIAL FORCE (20 mm FROM FRONT FLANGE)	220N
MAX AXIAL FORCE	60N
DIIELECTRIC STRENGTH	500 VDC FOR ONE MINUTE
INSULATION RESISTANCE	100 Mohm min. 500 VDC