

SPECIFICATION

Model		86BLC64	86BLC77	
1	N° OF POLE	8	8	
2	N° OF PHASE	3	3	
3	RATED VOLTAGE	V	48	48
4	RATED SPEED	rpm	3000	3000
5	RATED TORQUE	Nm	0,4	0,8
6	MAX PEAK TORQUE	Nm	1,2	2,4
7	TORQUE CONSTANT	Nm/A	0,122	0,149
8	LINE TO LINE RESISTANCE	Ω	1	0,34
9	LINE TO LINE INDUCTANCE	mH	1,40	0,60
10	MAX PEAK CURRENT	A	11	17,5
11	RATED CURRENT	A	3,28	5,37
12	NO-LOAD CURRENT	mA	380	550
13	LENGTH	mm	64	77
14	ROTOR INERTIA	g-cm ²	400	800
15	WEIGHT	Kg	1,5	1,85

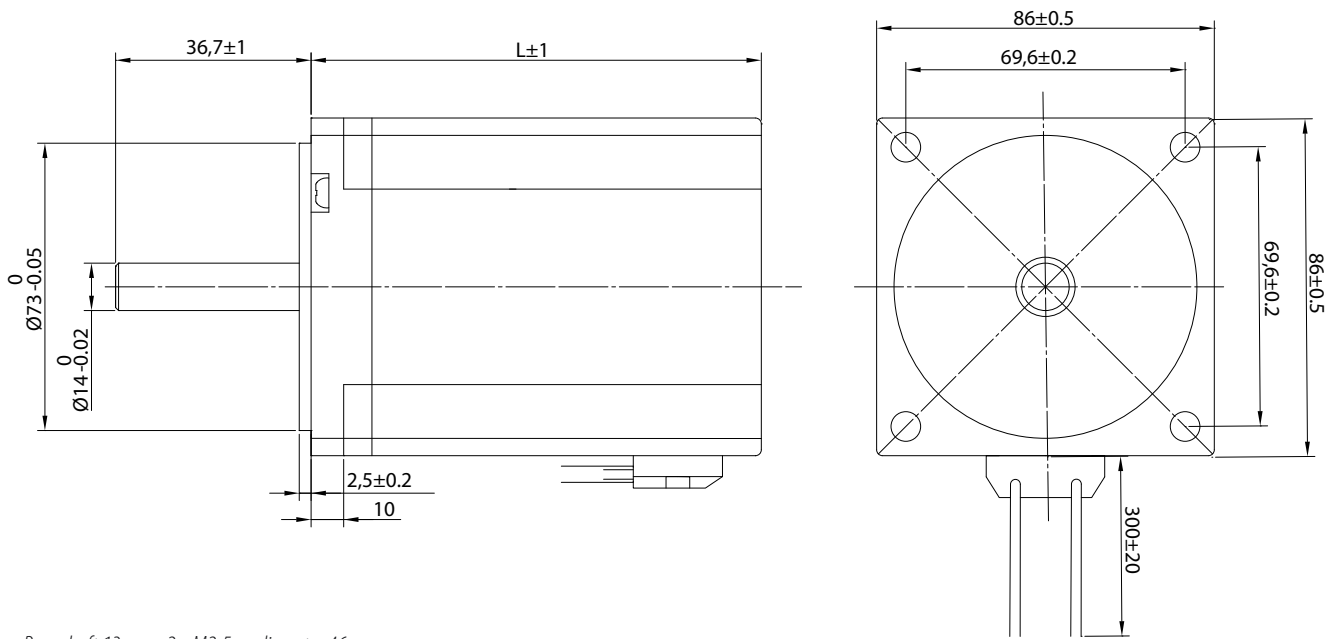


CONNECTION

Lead N°	Color	Gauge	Function
1	RED	UL1332 AWG26	VCC HALL SENSOR +5 TO +24 VDC
2	BLUE	UL1332 AWG26	HALL A
3	GREEN	UL1332 AWG26	HALL B
4	WHITE	UL1332 AWG26	HALL C
5	BLACK	UL1332 AWG26	HALL SENSOR GROUND
6	YELLOW	UL1332 AWG14	PHASE U
7	RED	UL1332 AWG14	PHASE V
8	BLACK	UL1332 AWG14	PHASE W

CHARACTERISTICS

Item	
HALL EFFECT ANGLE	120°
SHAFT RUN OUT	0,05 mm
INSULATION CLASS	B
RADIAL PLAY (450 g LOAD)	0,02 mm
AXIAL PLAY (400 g LOAD)	0,08 mm
MAX RADIAL FORCE (20 mm FROM FRONT FLANGE)	220N 2
MAX AXIAL FORCE	45N
DIELECTRIC STRENGTH	500 VDC FOR ONE MINUTE
INSULATION RESISTANCE	100 Mohm min. 500 VDC



BE Version: Rear shaft 13mm - 2 x M2.5 on diameter 46 mm

SPECIFICATION

Model		86BLC105	86BLC125	
1	N° OF POLE	8	8	
2	N° OF PHASE	3	3	
3	RATED VOLTAGE	V	48	48
4	RATED SPEED	rpm	3000	3000
5	RATED TORQUE	Nm	1,6	2,22
6	MAX PEAK TORQUE	Nm	4,8	6,66
7	TORQUE CONSTANT	Nm/A	0,135	0,131
8	LINE TO LINE RESISTANCE	Ω	0,14	0,10
9	LINE TO LINE INDUCTANCE	mH	0,36	0,24
10	MAX PEAK CURRENT	A	37	52
11	RATED CURRENT	A	11,85	16,95
12	NO-LOAD CURRENT	mA	860	1200
13	LENGTH	mm	105	125
14	ROTOR INERTIA	g-cm ²	1600	2400
15	WEIGHT	Kg	2,7	4



CONNECTION

Lead N°	Color	Gauge	Function
1	RED	UL1332 AWG26	VCC HALL SENSOR +5 TO +24 VDC
2	BLUE	UL1332 AWG26	HALL A
3	GREEN	UL1332 AWG26	HALL B
4	WHITE	UL1332 AWG26	HALL C
5	BLACK	UL1332 AWG26	HALL SENSOR GROUND
6	YELLOW	UL1332 AWG14	PHASE U
7	RED	UL1332 AWG14	PHASE V
8	BLACK	UL1332 AWG14	PHASE W

CHARACTERISTICS

Item	
HALL EFFECT ANGLE	120°
SHAFT RUN OUT	0,05 mm
INSULATION CLASS	B
RADIAL PLAY (450 g LOAD)	0,02 mm
AXIAL PLAY (400 g LOAD)	0,08 mm
MAX RADIAL FORCE (20 mm FROM FRONT FLANGE)	220N
MAX AXIAL FORCE	45N
DIELECTRIC STRENGTH	500 VDC FOR ONE MINUTE
INSULATION RESISTANCE	100 Mohm min. 500 VDC