

## SPECIFICATION

Model		57BLA01	57BLA02
1	N° OF POLE	6	6
2	N° OF PHASE	3	3
3	RATED VOLTAGE	V	36
4	RATED SPEED	rpm	4000
5	RATED TORQUE	Nm	0,2
6	MAX PEAK TORQUE	Nm	0,6
7	TORQUE CONSTANT	Nm/A	0,07
8	LINE TO LINE RESISTANCE	$\Omega$	0,95
9	LINE TO LINE INDUCTANCE	mH	1,2
10	MAX PEAK CURRENT	A	8,6
11	RATED CURRENT	A	2,86
12	NO-LOAD CURRENT	mA	350
13	LENGTH	mm	53,6
14	ROTOR INERTIA	g-cm <sup>2</sup>	275
15	WEIGHT	Kg	0,52

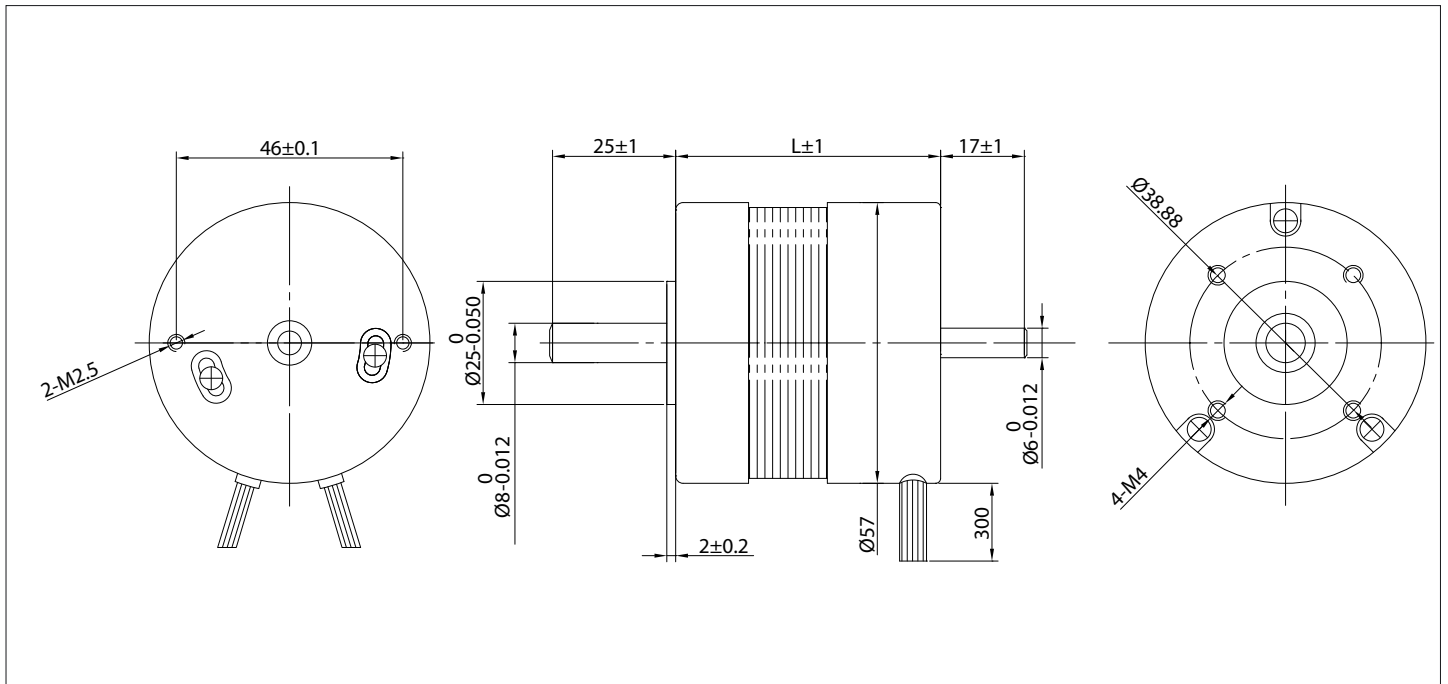


## CONNECTION

Lead N°	Color	Gauge	Function
1	RED	UL1430 AWG26	VCC HALL SENSOR +5 TO +24 VDC
2	BLUE	UL1430 AWG26	HALL A
3	GREEN	UL1430 AWG26	HALL B
4	WHITE	UL1430 AWG26	HALL C
5	BLACK	UL1430 AWG26	HALL SENSOR GROUND
6	YELLOW	UL1430 AWG20	PHASE U
7	RED	UL1430 AWG20	PHASE V
8	BLACK	UL1430 AWG20	PHASE W

## CHARACTERISTICS

Item	
HALL EFFECT ANGLE	120°
SHAFT RUN OUT	0,025 mm
INSULATION CLASS	F
RADIAL PLAY (460 g LOAD)	0,025 mm
AXIAL PLAY (4000 g LOAD)	0,025 mm
MAX RADIAL FORCE (20 mm FROM FRONT FLANGE)	115N
MAX AXIAL FORCE	45N
Dielectric Strength	500 VAC FOR ONE MINUTE
INSULATION RESISTANCE	100 Mohm min. 500 VDC



## SPECIFICATION

Model		57BLA03	57BLA04
1	N° OF POLE	6	6
2	N° OF PHASE	3	3
3	RATED VOLTAGE	V	36
4	RATED SPEED	rpm	4000
5	RATED TORQUE	Nm	0,6
6	MAX PEAK TORQUE	Nm	1,8
7	TORQUE CONSTANT	Nm/A	0,06
8	LINE TO LINE RESISTANCE	$\Omega$	0,25
9	LINE TO LINE INDUCTANCE	mH	0,4
10	MAX PEAK CURRENT	A	29
11	RATED CURRENT	A	10
12	NO-LOAD CURRENT	mA	580
13	LENGTH	mm	93,6
14	ROTOR INERTIA	$g \cdot cm^2$	510
15	WEIGHT	Kg	1



## CONNECTION

Lead N°	Color	Gauge	Function
1	RED	UL1430 AWG26	VCC HALL SENSOR +5 TO +24 VDC
2	BLUE	UL1430 AWG26	HALL A
3	GREEN	UL1430 AWG26	HALL B
4	WHITE	UL1430 AWG26	HALL C
5	BLACK	UL1430 AWG26	HALL SENSOR GROUND
6	YELLOW	UL1430 AWG20	PHASE U
7	RED	UL1430 AWG20	PHASE V
8	BLACK	UL1430 AWG20	PHASE W

## CHARACTERISTICS

Item	
HALL EFFECT ANGLE	120°
SHAFT RUN OUT	0,025 mm
INSULATION CLASS	F
RADIAL PLAY (460 g LOAD)	0,025 mm
AXIAL PLAY (4000 g LOAD)	0,025 mm
MAX RADIAL FORCE (20 mm FROM FRONT FLANGE)	115N
MAX AXIAL FORCE	45N
DIELECTRIC STRENGTH	500 VAC FOR ONE MINUTE
INSULATION RESISTANCE	100 Mohm min. 500 VDC