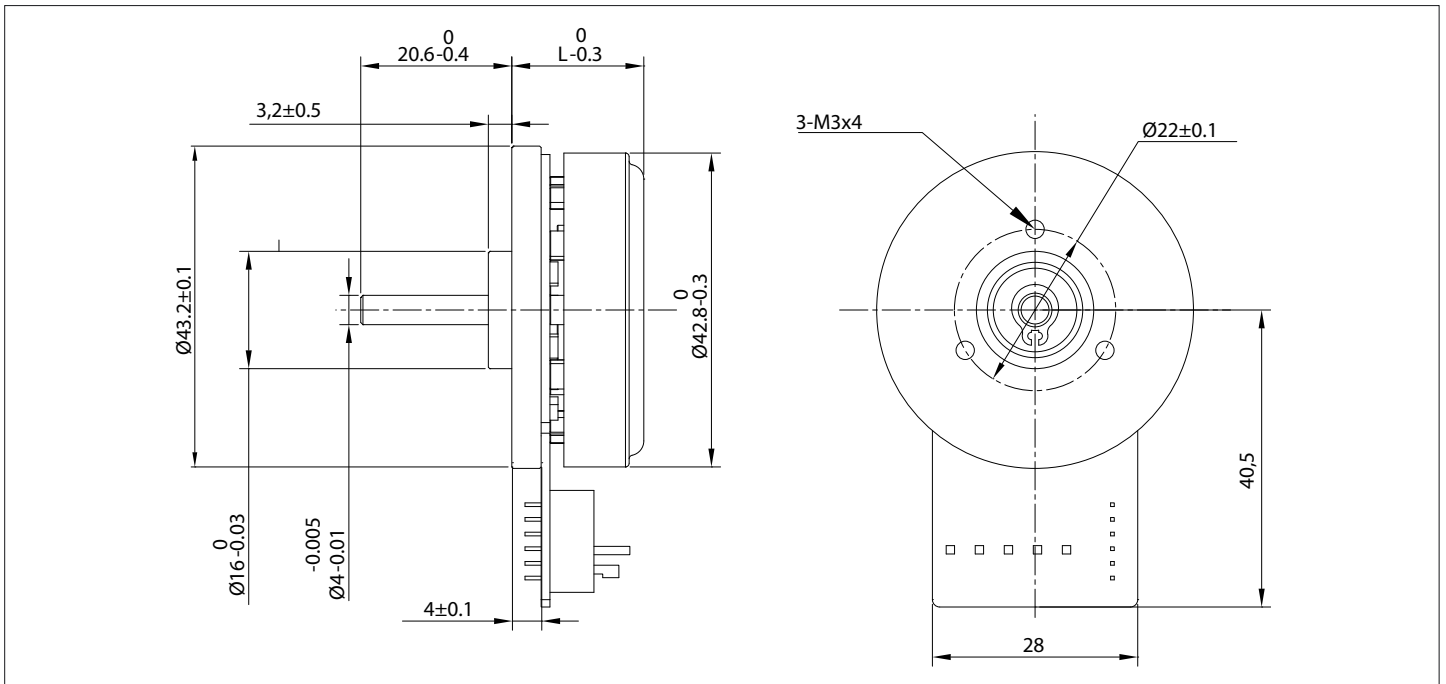


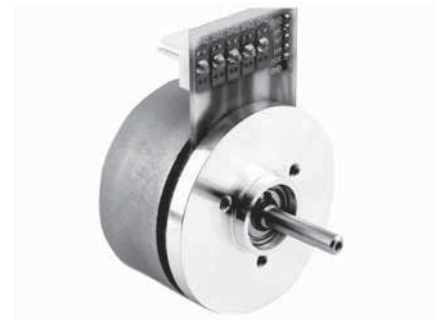
# Brushless Flat 45BLW

Connector



## SPECIFICATION

Model		45BLW18	45BLW21	45BLW27
1	N° OF POLE	16	16	16
2	N° OF PHASE	3	3	3
3	RATED VOLTAGE	V	24	24
4	RATED SPEED	rpm	5000	5260
5	RATED TORQUE	Nm	0,05	0,084
6	MAX PEAK TORQUE	Nm	0,15	0,25
7	TORQUE CONSTANT	Nm/A	0,031	0,033
8	LINE TO LINE RESISTANCE	$\Omega$	1,83	0,8
9	LINE TO LINE INDUCTANCE	mH	0,59	0,33
10	MAX PEAK CURRENT	A	4,8	7
11	RATED CURRENT	A	1,61	2,55
12	NO-LOAD CURRENT	mA	250	390
13	LENGTH	mm	18	21
14	ROTOR INERTIA	$g\text{-cm}^2$	100	135
15	WEIGHT	Kg	0,08	0,12

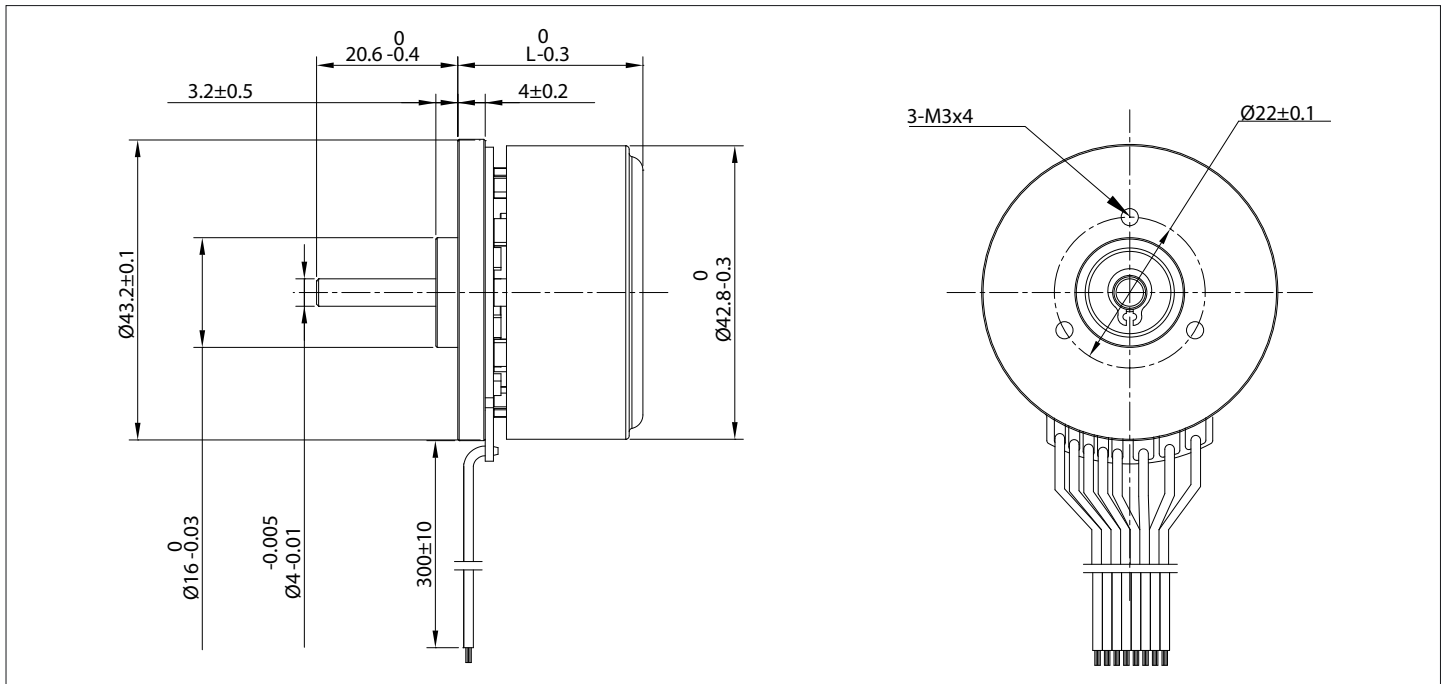


## CONNECTION

Pin N°	Connector	Function
1	JST B5P	GND
2	JST B5P	PHASE W
3	JST B5P	PHASE V
4	JST B5P	PHASE U
5	JST B5P	GND
1	JST B6B	GND
2	JST B6B	+5V DC
3	JST B6B	HALL A
4	JST B6B	HALL B
5	JST B6B	HALL C
6	JST B6B	GND

## CHARACTERISTICS

Item	
HALL EFFECT ANGLE	120°
SHAFT RUN OUT	0,03 mm
INSULATION CLASS	B
RADIAL PLAY (450 g LOAD)	0,02 mm
AXIAL PLAY (450 g LOAD)	0,14 mm
MAX RADIAL FORCE (10 mm FROM FRONT FLANGE)	28N
MAX AXIAL FORCE	10N
DIELECTRIC STRENGTH	500 VDC FOR ONE MINUTE
INSULATION RESISTANCE	100 Mohm min. 500 VDC



## SPECIFICATION

Model		45BLW18	45BLW21	45BLW27
1	N° OF POLE	16	16	16
2	N° OF PHASE	3	3	3
3	RATED VOLTAGE	V	24	24
4	RATED SPEED	rpm	5000	5260
5	RATED TORQUE	Nm	0,05	0,084
6	MAX PEAK TORQUE	Nm	0,15	0,25
7	TORQUE CONSTANT	Nm/A	0,031	0,033
8	LINE TO LINE RESISTANCE	Ω	1,83	0,8
9	LINE TO LINE INDUCTANCE	mH	0,59	0,33
10	MAX PEAK CURRENT	A	4,8	7
11	RATED CURRENT	A	1,61	2,55
12	NO-LOAD CURRENT	mA	250	380
13	LENGTH	mm	18	21
14	ROTOR INERTIA	g-cm <sup>2</sup>	99	135
15	WEIGHT	Kg	0,08	0,12



## CONNECTION

Lead N°	Color	Gauge	Function
1	RED	UL1430 AWG24	VCC HALL SENSOR +5 TO +24 VDC
2	BLUE	UL1430 AWG24	HALL A
3	GREEN	UL1430 AWG24	HALL B
4	WHITE	UL1430 AWG24	HALL C
5	BLACK	UL1430 AWG24	HALL SENSOR GROUND
6	GREY	UL1430 AWG24	PHASE U
7	BROWN	UL1430 AWG24	PHASE V
8	YELLOW	UL1430 AWG24	PHASE W

## CHARACTERISTICS

Item	
HALL EFFECT ANGLE	120°
SHAFT RUN OUT	0,03 mm
INSULATION CLASS	B
RADIAL PLAY (450 g LOAD)	0,02 mm
AXIAL PLAY (450 g LOAD)	0,14 mm
MAX RADIAL FORCE (10 mm FROM FRONT FLANGE)	28N
MAX AXIAL FORCE	10N
Dielectric Strength	500 VDC FOR ONE MINUTE
INSULATION RESISTANCE	100 Mohm min. 500 VDC