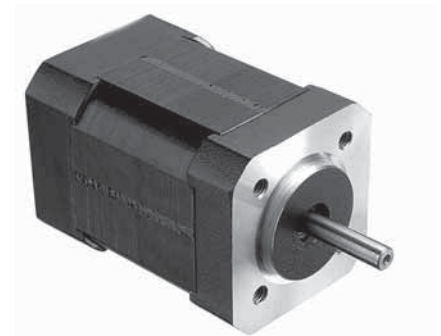


SPECIFICATION

Model		42BLA01	42BLA02
1	N° OF POLE	10	10
2	N° OF PHASE	3	3
3	RATED VOLTAGE	V	24
4	RATED SPEED	rpm	3000
5	RATED TORQUE	Nm	0,07
6	MAX PEAK TORQUE	Nm	0,21
7	TORQUE CONSTANT	Nm/A	0,055
8	LINE TO LINE RESISTANCE	Ω	2,6
9	LINE TO LINE INDUCTANCE	mH	1,83
10	MAX PEAK CURRENT	A	4
11	RATED CURRENT	A	1,27
12	NO-LOAD CURRENT	mA	220
13	LENGTH	mm	40,3
14	ROTOR INERTIA	g-cm ²	48
15	WEIGHT	Kg	0,26

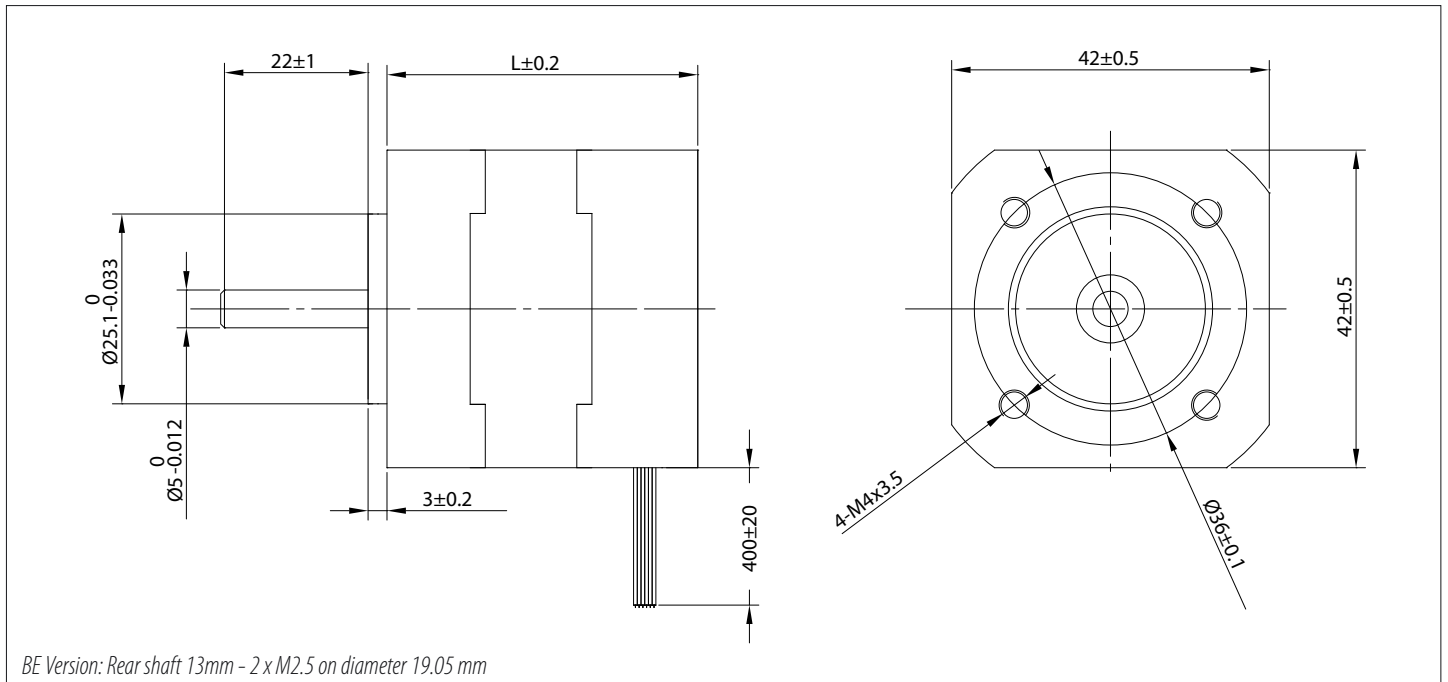


CONNECTION

Lead N°	Color	Gauge	Function
1	RED	UL1430 AWG26	VCC HALL SENSOR +5 TO +24 VDC
2	BLUE	UL1430 AWG26	HALL A
3	GREEN	UL1430 AWG26	HALL B
4	WHITE	UL1430 AWG26	HALL C
5	BLACK	UL1430 AWG26	HALL SENSOR GROUND
6	YELLOW	UL1430 AWG20	PHASE U
7	RED	UL1430 AWG20	PHASE V
8	BLACK	UL1430 AWG20	PHASE W

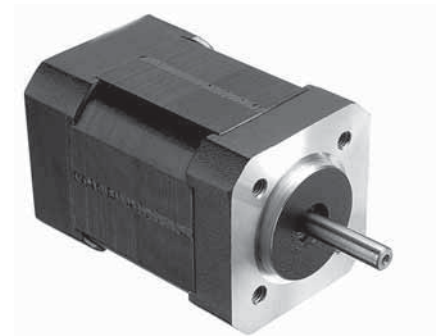
CHARACTERISTICS

Item	
HALL EFFECT ANGLE	120°
SHAFT RUN OUT	0,025 mm
INSULATION CLASS	B
RADIAL PLAY (450 g LOAD)	0,02 mm
AXIAL PLAY (450 g LOAD)	0,08 mm
MAX RADIAL FORCE (10 mm FROM FRONT FLANGE)	28N
MAX AXIAL FORCE	10N
DIELECTRIC STRENGTH	500 VDC FOR ONE MINUTE
INSULATION RESISTANCE	100 Mohm min. 500 VDC



SPECIFICATION

Model		42BLA03	42BLA04
1	N° OF POLE	10	10
2	N° OF PHASE	3	3
3	RATED VOLTAGE	V	24
4	RATED SPEED	rpm	3000
5	RATED TORQUE	Nm	0,26
6	MAX PEAK TORQUE	Nm	0,78
7	TORQUE CONSTANT	Nm/A	0,058
8	LINE TO LINE RESISTANCE	Ω	0,7
9	LINE TO LINE INDUCTANCE	mH	0,58
10	MAX PEAK CURRENT	A	13,5
11	RATED CURRENT	A	4,48
12	NO-LOAD CURRENT	mA	430
13	LENGTH	mm	80,3
14	ROTOR INERTIA	g-cm ²	154
15	WEIGHT	Kg	0,65



CONNECTION

Lead N°	Color	Gauge	Function
1	RED	UL1430 AWG26	VCC HALL SENSOR +5 TO +24 VDC
2	BLUE	UL1430 AWG26	HALL A
3	GREEN	UL1430 AWG26	HALL B
4	WHITE	UL1430 AWG26	HALL C
5	BLACK	UL1430 AWG26	HALL SENSOR GROUND
6	YELLOW	UL1430 AWG20	PHASE U
7	RED	UL1430 AWG20	PHASE V
8	BLACK	UL1430 AWG20	PHASE W

CHARACTERISTICS

Item	
HALL EFFECT ANGLE	120°
SHAFT RUN OUT	0,025 mm
INSULATION CLASS	B
RADIAL PLAY (450 g LOAD)	0,02 mm
AXIAL PLAY (450 g LOAD)	0,08 mm
MAX RADIAL FORCE (10 mm FROM FRONT FLANGE)	28N
MAX AXIAL FORCE	10N
Dielectric Strength	500 VDC FOR ONE MINUTE
INSULATION RESISTANCE	100 Mohm min. 500 VDC