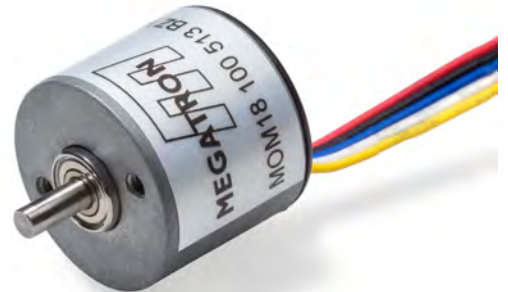


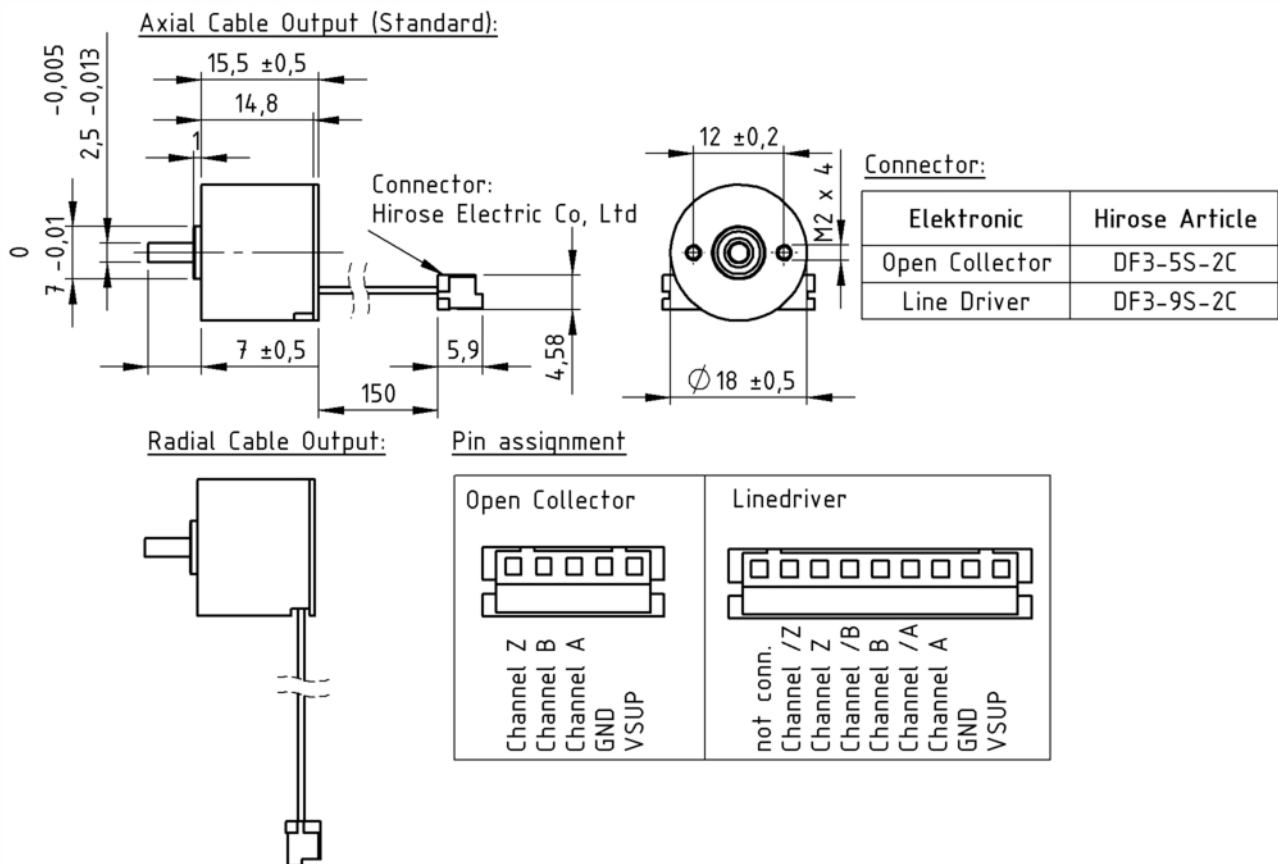
## Series MOM18 / Optoelectronic Encoder

- Housing  $\varnothing$  18 mm
- Up to 1600 ppr
- 2 channels and index
- Open Collector or Line Driver Output
- Operating voltage 5 V (5-12 V Open Collector)
- Preference types from stock

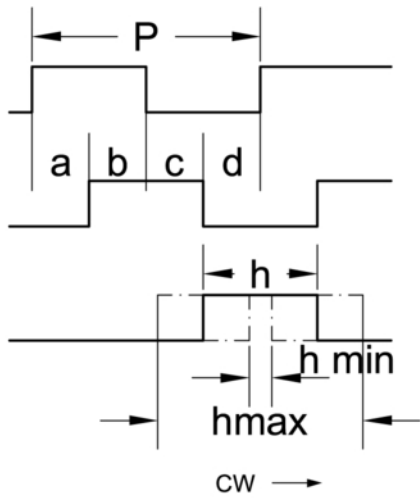
The MOM18 is featured by its high resolution of up to 500 pulses/turn and its compact housing. The converted connector enables a low-cost and flexible mounting.



## Drawing



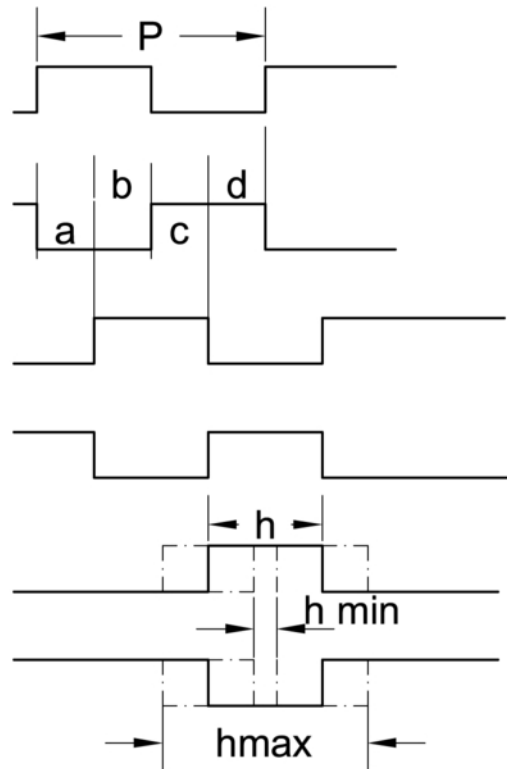
Output Flanks Open Collector



$$a, b, c, d = \frac{P}{4} \pm \frac{P}{8}$$

$$\frac{P}{10} \leq h \leq \frac{9}{10}P$$

Output Flanks Line Driver



Electrical Data

Electronic	Open Collector	Linedriver
Resolution	100 - 1600 ppr	
Channels	A, B, Z	
Frequency response	200 kHz	
Supply voltage	4,5 - 13,2 VDC	4,5-5,5 VDC
Power consumption (no load)	< 30 mA	
Output voltage low	0,5 V	
Output voltage high	--	2,5 V
Max. output current	20 mA	

Mechanical Data

Maximum speed	6000 rpm
Maximum acceleration	1 * 10 <sup>4</sup> rad/s <sup>2</sup>
Moment of inertia	1 * 10 <sup>-8</sup> kgm <sup>2</sup>
Starting torque	0,49

# Series MOM18 / Optoelectronic Encoder

## Other Data

Protection class	IP50
Operating temperature	-10 .. +70° C
Storage temperature	-30 .. +80° C
Maximum shock	30g 11ms
Vibration	10..55 Hz / 1,5mm 2 h x, y, z
Humidity	< 90% RH no dewing
Bearing	ball bearing
Housing material	aluminium
Shaft material	stainless steel
Disc material	metal
Weight	20 g

## Options and Order Descriptions

Series MOM18	MOM18					
<u>Resolution [Pulses per revolution]</u>						
			100			
			160 (*)			
			200 (*)			
			300 (*)			
			360			
			400 (*)			
			500			
			800 (*)			
			1000 (*)			
			1024 (*)			
			1600			
<u>Supply voltage</u>						
4,5 - 13,2 VDC (open collector)				513		
5 VDC (linedriver)				5 (*)		
2 channels with index					BZ	
<u>Electronics:</u>						
Open Collector						K
Linedriver						N (*)
<u>Cable output</u>						
Axial						-
Radial						CVR (*)

"bold print = standard option"

short-term stock types can be found on: <http://www.megatron.de/en/stocklists/angle-sensors/lagerliste.html>

(\*) = on request available for projects

23.02.2015