

## Series MIB40 / Incremental Hall Effect Encoder

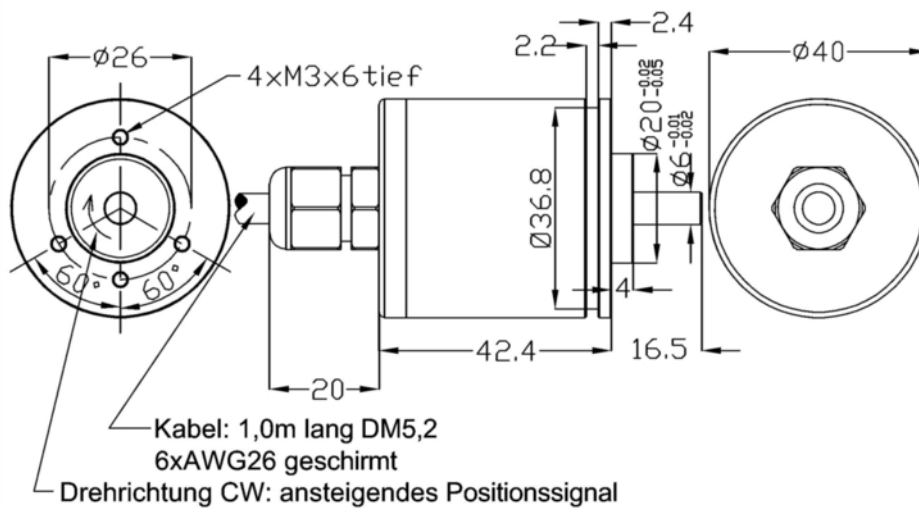
- upto 256 pulses/360° + index
- housing diameter 40 mm
- operating voltage 5V, 24V (3,3V on request)
- interfaces: Open Collector, TTL
- alternative mounting by threaded hole at front or servo flange
- protection class IP67

A robust housing with protection class IP67 qualifies the MIB40 to be used in rough environs.

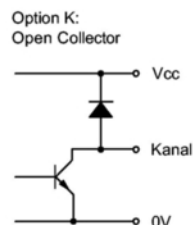
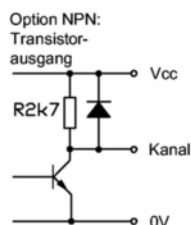
Flexible mounting for easy construction and production.



## Drawing



Adernbelegung						
rt	bn	og	ge	gn	sw	
VSUP	NC*	Kanal B	Index	Kanal A	GND	
*) NC bitte NICHT anschließen !						



Flankenfolge bei Drehung im  
Uhrzeigersinn typische  
Ausgangssignale



# Series MIB40 / Incremental Hall Effect Encoder

## Electrical Data

Pulses	256 ppr (other on request)
Channels	A, B, Z
Limit Frequency	500 kHz
Supply Voltage	$4,5V \leq V_B \leq 5,5V$ / $8V \leq V_B \leq 30V$
Supply Current (no load)	< 20 mA

## Mechanical Data

Maximum Speed	1000 rpm
Operational Torque	typical 1 Ncm

## Other Data

Protection Class	IP67
Operating Temperature	-40° .. +85° C
Storage Temperature	-40° .. +85° C
Bearing	2 precision ball bearings
Housing Material	chromed aluminium
Shaft Material	stainless steel
Weight	approx. 90 g

## Order Description

Series MIB40	MIB40				
<u>Resolution [Pulses per revolution]</u>					
	1024				
	512 (*)				
	256 (*)				
	2...128 (*)				
<u>Supply voltage / Output signal</u>					
5 V / TTL			05 BZ TTL (*)		
5 V / Open Collector			05 BZ OC (*)		
24 V (9..30 V) / Open Collector			24 BZ OC		
24 V (9..30 V) / Push Pull			24 BZ PP		
Zero point alignment of the index pulse				N (*)	
Other shaft length [mm]					Axx (*)
<u>Cable output</u>					
Axial - 1 m					-
Axial [m]					CVxx(*)

"bold print = standard option"

short-term stock types can be found on: <http://www.megatron.de/en/stocklists/angle-sensors/lagerliste.html>

(\*) = on request available for projects

23.02.2015