

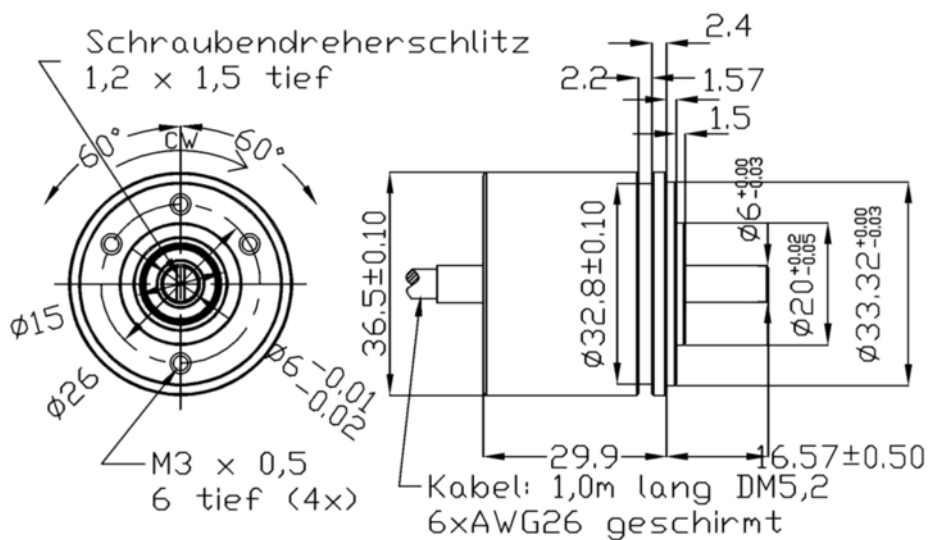
Series MIB36 / Incremental Hall Effect Encoder

- up to 256 pulses/360° + index
- housing diameter 36 mm
- operating voltage 5V, 24V (3,3V optional)
- interfaces: Open Collector, TTL
- alternative mounting by threaded hole at front or servo flange
- protection class IP65

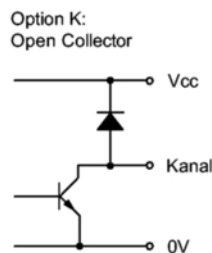
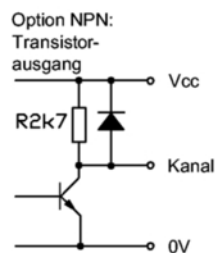
Flexible mounting on a robust housing with precision ball bearings qualifies the MIB36 for modern tool building and plant engineering.



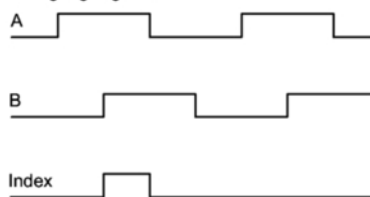
Drawing



Adernbelegung					
rt	bn	og	ge	gn	sw
VSUP	NC*	Kanal B	Index	Kanal A	GND
*) NC bitte NICHT anschließen !					



Flankenfolge bei Drehung im Uhrzeigersinn typische Ausgangssignale



Series MIB36 / Incremental Hall Effect Encoder

Electrical Data

Pulses	256 ppr (other on request)
Channels	A, B, Z
Limit Frequency	500 kHz
Supply Voltage	4,5V < VB < 5,5V / 8V < VB < 30V
Supply Current (no load)	< 20 mA

Mechanical Data

Maximum Speed	6000 rpm
---------------	----------

Other Data

Protection Class Shaft and Housing	IP65
Operating Temperature	-40° .. +85° C
Storage Temperature	-40° .. +85° C
Bearing	2 precision ball bearings
Housing Material	chromed aluminium
Shaft Material	stainless steel
Weight	approx. 90 g

Order Description

Series MIB36	MIB36				
<u>Resolution [Pulses per revolution]</u>					
	1024				
	512 (*)				
	256 (*)				
	2...128 (*)				
<u>Supply voltage / Output signal</u>					
5 V / TTL			05 BZ TTL (*)		
5 V / Open Collector			05 BZ OC (*)		
24 V (9..30 V) / Open Collector			24 BZ OC		
24 V (9..30 V) / Push Pull			24 BZ PP		
<u>Zero point alignment of the index pulse</u>				N (*)	
<u>Other shaft length [mm]</u>					Axx (*)
<u>Cable output</u>					
Axial - 1 m					-
Round connector M12					M12
Axial [m]					CVxx(*)
Radial [m]					CVRxx(*)

"bold print = standard option"

short-term stock types can be found on: <http://www.megatron.de/en/stocklists/angle-sensors/lagerliste.html>

(*) = on request available for projects

23.02.2015