

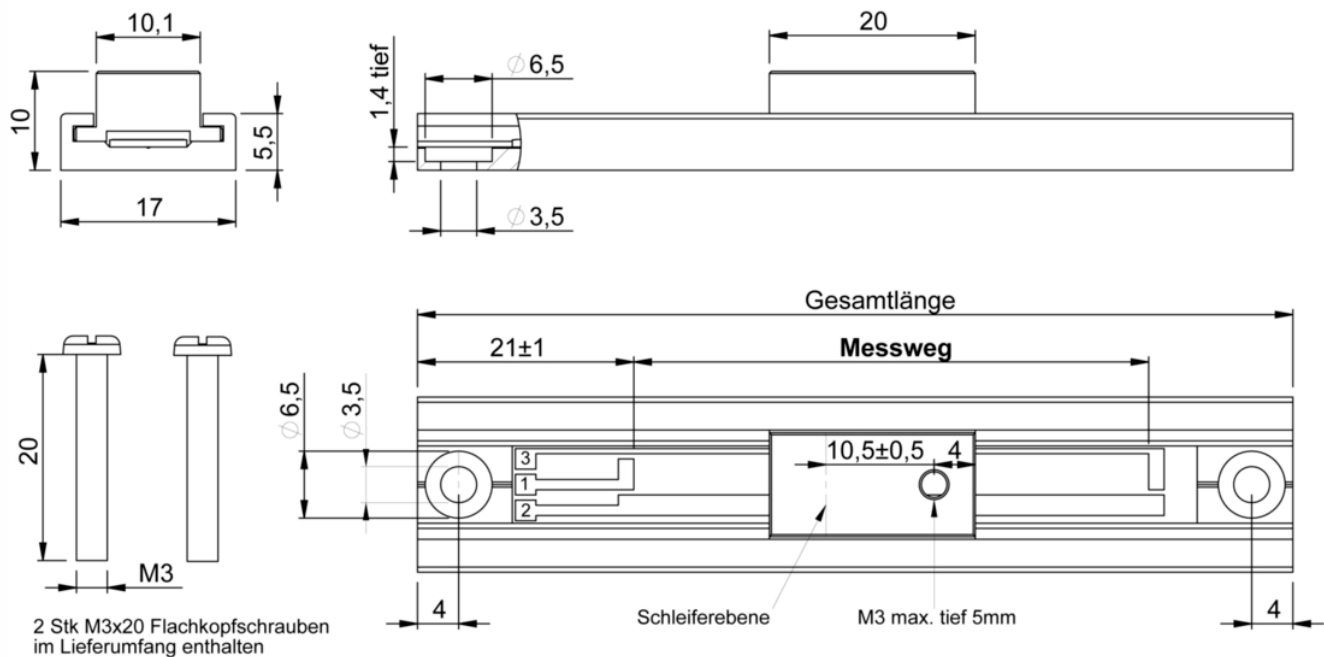
Serie MBW - Potentiometric Linear Transducer

- Resolution quasi infinite
- Elec. travel up to 200mm freely selectable
- Smallest dimensions
- Customized designs possible

The modular design of the system offers a wide range of customized adaptations.
Because of its robust construction the MBW is suited to be used in tool-building.



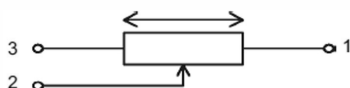
Drawing



Dimensions in mm

Type	MBW50	MBW100	MBW150	MBW200
A in mm	85	135	185	235
B in mm	50	100	150	200

Wiring



Serie MBW - Potentiometric Linear Transducer

Electrical Data	MBW50	MBW100	MBW150	MBW200
Electrical Travel [±0,5mm]	50 mm	100 mm	150 mm	200 mm
Resistance Value	10 kOhm			
Resistanc Tolerance	± 20 %			
Linearity Tolerance, independent	± 1 %			
Power Rating at 40°C	0,25 W			
Maximum Wiper Current in case of malfunction	1 mA			
Recommended Wiper Current	< 1 µA (Voltage Divider Circuit)			

Mechanical Data	MBW50	MBW100	MBW150	MBW200
Actuating Force	< 1,2 N			
Weight	16 g	27 g	32 g	40 g
Slide Bearing	Sleeve Bearing			
Maximum Displacement Speed	0,5 m/s			
Lifetime	2,5 Mio. cycles			
Housing Material	Aluminium / Plastic			
Connection	Solder Terminals			
Resistance Track Material	Ceramics			

Ambient Conditions	
Operating Temperature	-15 ... +70° C
Storage Temperature	-30 ... +130° C

Options / Accessories	
Mechanical Options	Electrical Options
<ul style="list-style-type: none"> • Special length, shape • Special slide • Cable • adhesive 	<ul style="list-style-type: none"> • Elec. travel freely selectable up to 200mm

Order Code					
Series	MBW				
Connection:					
Solder pad		L			
Stoke [mm]			50		
			100		
			150		
			200		
Resistance value				R5k (*)	
				R10k	
Resistance tolerance					W20%
Independent linearity tolerance					L1%

"bold print = standard option"

short-term stock types can be found on: <http://www.megatron.de/en/stocklists/linear-sensors/lagerliste.html>

(*) = on request available for projects

23.02.2015