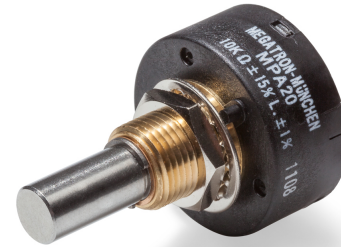


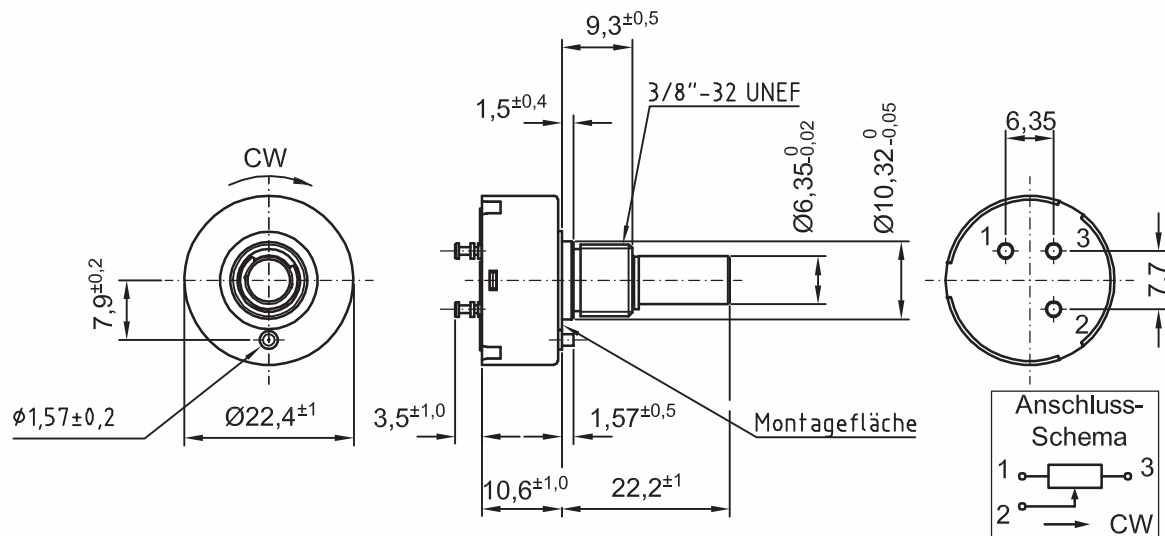
Series MPA20, MPA21 - Conductive Plastic Potentiometer

- Body diameter 22 mm
- With or without mechanical stop
- Resistance values from 0,5 to 100 kOhm
- Linearity tolerance 1% (0,5%)
- Life 10 million turns
- Customized adaptations

High precision, with a very long life and with a wide range of options. Sealed shaft (IP65) and body (IP64) possible.



Drawing



Series MPA20, MPA21 - Conductive Plastic Potentiometer

Electrical Data	MPA20	MPA21
Electrical rotation angle	340° ± 4°	320° ± 4°
Resistance value	0,5 ... 100 kOhm	
Resistance tolerance	± 15% (± 10%)	
Linearity tolerance, independent	± 1% (± 0,5%)	
Output smoothness	< 0,1%	
Power rating at +70°C (0W at 105°C)	1 W	
Wiper current	10 µA max. / 2 µA recommended	
Insulation	1.000 MOhm bei 500 VDC	

Mechanical Data	MPA20	MPA21
Mechanical rot. angle	360° without stop	320° ± 5° with stop
Max. rotational speed	400 rpm	
Life (90% elec. angle)	10 x 10 ⁶ rev.	
Starting torque	0,5 Ncm	
Stopper strength	--	60 Ncm
Max. torque mounting nut	150 Ncm	

Other Data	
Protection	IP40 (IP54 on request)
Protection shaft sealing, optional	IP65
Operating temperature	-55 ... +105 °C
Bearing	sleeve bearing
Housing material	engineered plastic
Shaft material	stainless steel
Bearing bush material	brass
Connection	gold-plated soldering pin
Mounting parts	hex-nut, tooth washer (included in delivery)
Weight	20 g

Series MPA20, MPA21 - Conductive Plastic Potentiometer

Options and Order Description

Description	Options (Code)				
without stop	MPA20				
with stop	MPA21				
Resistance value		R500 R1K R2K R5K R10K R20K R50K R100K			
Resistance tolerance			W15% W10%		
Linearity tolerance				L1% LO,5%	
Sealing ring					D
Example Order Code	MPA20	R1K	W15%	L1%	

(*) = on request available for projects

Errors and specifications subject to change without notice.

27.10.2016